

SPECIFICATIONS
GENERAL:

The surface drainage system shall be 8000 Series Slot Drain complete with slotted linear trench opening as manufactured by Slot Drain Systems.

MATERIALS:

T304 Stainless Steel, T316 Stainless Steel, Galvanized Steel

SLOPE:

0.5% Standard

DESIGN OPTIONS:

Material (\$): SS304(5), SS316(6), GS(0)
 Slot Opening (#): 13mm (0), 25mm (1), 32mm (5)
 End (*): Open (0), End Cap (1), Flush Nipple (5)
 Section Lengths: Full 2.946m, Half 1.473m
 Typical runs start with 405
 (Custom Lengths available).

FLOW RATE:

13 mm 11 gpm (per foot of drain)
 25 mm 18 gpm (per foot of drain)
 32 mm 27 gpm (per foot of drain)

LOAD CLASS:

DIN EN 1433 - Load Class E
 ASME 112.6.3 - Special Duty

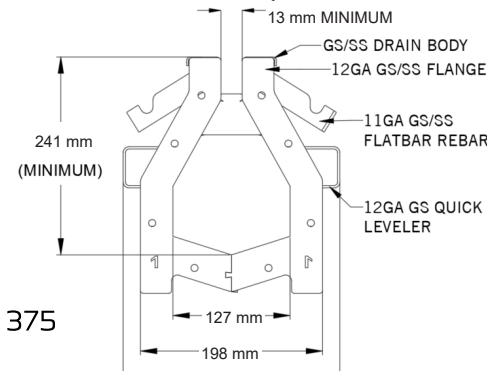
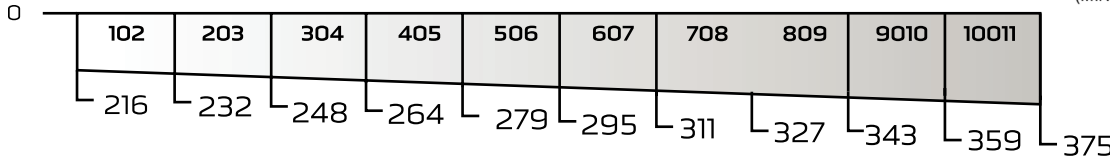
ACCESSORIES:

Cleaning paddle, Cleaning Brush, Flush Flo, CIP, Slot Hog, Tri-Clamp

INSTALLATION:

The drains and catch basins are installed with the gaskets supplied by Global Drain Technology. The 8000 Series Slot Drain System shall be installed in accordance with the manufacturer's installation instructions and recommendations.

TYPICAL MODULAR LAYOUT OF A 8000 SERIES SLOT DRAIN® SYSTEM
 (Sections fit together as illustrated below)


DRAIN CHANNELS

DESCRIPTION	PART NO.	INVERT SHALLOW MM	INVERT DEEP MM
8000 SERIES SS SLOT 102 HALF	SD8\$*-102B	224	232
8000 SERIES SS SLOT 102	SD8\$*-102	216	232
8000 SERIES SS SLOT 203	SD8\$*-203	232	248
8000 SERIES SS SLOT 304	SD8\$*-304	248	264
8000 SERIES SS SLOT 405	SD8\$*-405	264	279
8000 SERIES SS SLOT 506	SD8\$*-506	279	295
8000 SERIES SS SLOT 607	SD8\$*-607	295	311
8000 SERIES SS SLOT 708	SD8\$*-708	311	327
8000 SERIES SS SLOT 809	SD9\$*-809	327	343
8000 SERIES SS SLOT 9010	SD9\$*-9010	343	359
8000 SERIES SS SLOT 10011	SD9\$*-10011	359	375

NOTE:

Also available with 90° sections, 'T' sections, and Transition Pits for all of the depths specified above.

CATCH BASIN

LID: STANDARD, TRI-CLAMP OPTIONS ARE AVAILABLE AND STRAINER IS PART OF THE CATCH BASIN

DESCRIPTION	TOP WIDTH MM	TOP LENGTH MM	BOTTOM WIDTH MM	BOTTOM LENGTH MM	HEIGHT MM	OUTLET SIZE MM
8000 SS SMALL	314	314	314	314	435	102
8000 SS LARGE	314	314	314	314	530	102

SPECIFYING ENGINEER IS RESPONSIBLE FOR CONCRETE ENCASEMENT AND REINFORCING BASED UPON APPLICATION AND LOCAL CODES. SLOT DRAIN SYSTEMS RESERVES THE RIGHT TO CHANGE THE PRODUCT AND SPECIFICATIONS WITHOUT NOTICE