

GENERAL:

The surface drainage system shall be 7000 Series Slot Drain complete with slotted linear trench opening as manufactured by Landscape Drains.

MATERIALS:

- T304 Stainless Steel
- T316 Stainless Steel

SLOPE: 0.5% Standard

DESIGN OPTIONS:

- ADA Compliant
- Material(\$): SS304(5), SS316(6)
- Slot Opening(#): 13mm(0), 25mm(1), 32mm (5)
- End(*): Open(0), End Cap(1), Flush Nipple(5)
- Section Lengths: Full 2946mm, Half 1473mm
- Custom Lengths Available

FLOW RATE:

- 13mm 42 lpm (per 305mm of drain)
- 25mm 68 lpm (per 305mm of drain)
- 32mm 102 lpm (per 305mm of drain)

LOAD CLASS: C

ACCESSORIES:

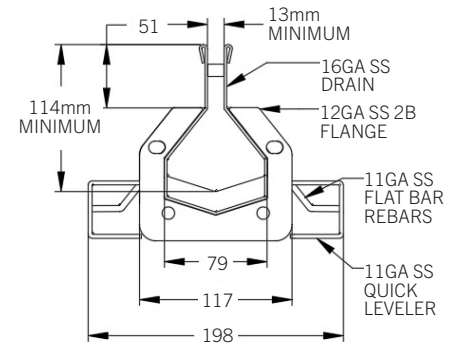
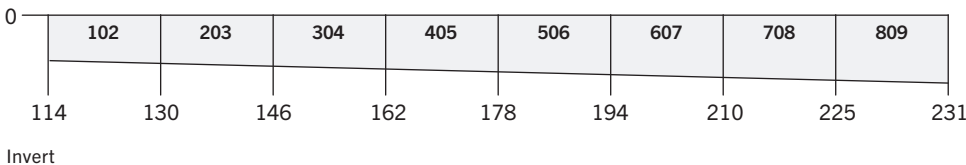
Cleaning Paddle, Flush Flo

INSTALLATION:

The 7000 Series Slot Drain System shall be installed in accordance with the manufacturer's installation instructions and recommendations.

TYPICAL MODULAR LAYOUT OF A 7000 SERIES SLOT DRAIN®

(Sections fit together as illustrated below)



DRAIN CHANNELS DESCRIPTION	PART NUMBER	INVERT SHALLOW (mm)	INVERT DEEP (mm)
7000 SERIES SS SLOT 102 HALF	SD7\$*-102B	122	130
7000 SERIES SS SLOT 102	SD7\$*-102	114	130
7000 SERIES SS SLOT 203	SD7\$*-203	130	146
7000 SERIES SS SLOT 304	SD7\$*-304	146	162
7000 SERIES SS SLOT 405	SD7\$*-405	162	178
7000 SERIES SS SLOT 506	SD7\$*-506	178	194
7000 SERIES SS SLOT 607	SD7\$*-607	194	210
7000 SERIES SS SLOT 708	SD7\$*-708	210	225
7000 SERIES SS SLOT 809	SD7\$*-809	225	241

NOTE: Also available with 90° sections, 'T' sections, and Transition Pits for all of the depths specified above.

CATCH BASIN DESCRIPTION	TOP WIDTH (mm)	TOP LENGTH (mm)	BOTTOM WIDTH (mm)	BOTTOM LENGTH (mm)	HEIGHT (mm)	OUTLET SIZE (mm)
7000 SS CB SMALL	152	152	152	152	305	102
7000 SS CM MEDIUM	152	305	152	305	305	102
7000 SS CB LARGE	305	305	305	305	511	102 or 152

LID: Standard and Pan-Lid options are available. Strainer is part of the Catch Basin.

Specifying engineer is responsible for concrete encasement and reinforcing based upon application and local codes. Landscape Drains reserves the right to change the product and specifications without notice.