

GENERAL:

The surface drainage system shall be 6000 Series Slot Drain complete with slotted linear trench opening as manufactured by Landscape Drains.

MATERIALS:

- T304 Stainless Steel
- T316 Stainless Steel

SLOPE: 0.5% Standard

DESIGN OPTIONS:

- Material(\$): SS304(5), SS316(6)
- Slot Opening(#): ½”(0), 1”(1), 1 ¼”(5)
- End(*): Open(0), End Cap(1), Flush Nipple(5)
- Section Lengths: Full 9’8”, Half 4’10”
- Custom Lengths Available

FLOW RATE:

- ½” 11 gpm (per foot of drain)
- 1 18 gpm (per foot of drain)
- 1 ¼” 27 gpm (per foot of drain)

LOAD CLASS: C

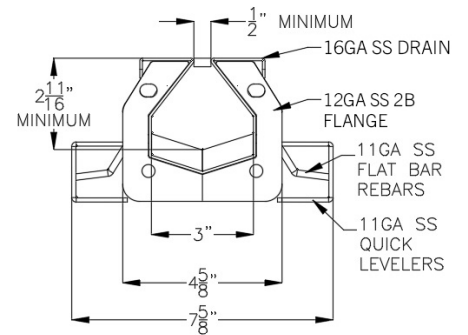
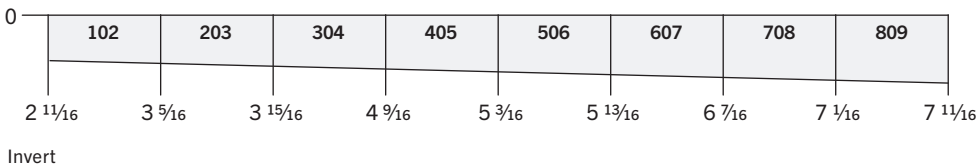
ACCESSORIES:

Cleaning Paddle, Cleaning Brush, Flush Flo, Clean In Place (CIP)

INSTALLATION:

The 6000 Series Slot Drain System shall be installed in accordance with the manufacturer’s installation instructions and recommendations.

TYPICAL MODULAR LAYOUT OF A 6000 SERIES SLOT DRAIN®
(Sections fit together as illustrated below)



DRAIN CHANNELS DESCRIPTION	PART NUMBER	INVERT SHALLOW (INCHES)	INVERT DEEP (INCHES)
6000 SERIES SS SLOT 102 HALF	SD6\$*-102B	3	3 5/16
6000 SERIES SS SLOT 102	SD6\$*-102	2 11/16	3 5/16
6000 SERIES SS SLOT 203	SD6\$*-203	3 5/16	3 15/16
6000 SERIES SS SLOT 304	SD6\$*-304	3 15/16	4 9/16
6000 SERIES SS SLOT 405	SD6\$*-405	4 9/16	5 3/16
6000 SERIES SS SLOT 506	SD6\$*-506	5 3/16	5 13/16
6000 SERIES SS SLOT 607	SD6\$*-607	5 13/16	6 7/16
6000 SERIES SS SLOT 708	SD6\$*-708	6 7/16	7 1/16
6000 SERIES SS SLOT 809	SD6\$*-809	7 1/16	7 11/16

NOTE: Also available with 90° sections, ‘T’ sections, and Transition Pits for all of the depths specified above.

CATCH BASIN DESCRIPTION	TOP WIDTH (INCHES)	TOP LENGTH (INCHES)	BOTTOM WIDTH (INCHES)	BOTTOM LENGTH (INCHES)	HEIGHT (INCHES)	OUTLET SIZE (INCHES)
6000 SS CB SMALL	6	6	6	6	12	4 or 6
6000 SS CM MEDIUM	6	12	6	12	12	4 or 6
6000 SS CB LARGE	12	12	12	12	12 or 20	4 or 6

LID: Standard, Tri-Clamp and Pan-Lid options are available. Strainer is part of the Catch Basin.

Specifying engineer is responsible for concrete encasement and reinforcing based upon application and local codes. Landscape Drains reserves the right to change the product and specifications without notice.