

GENERAL:

The surface drainage system shall be 4000 Series Landscape Slot Drain complete with slotted linear trench opening as manufactured by Landscape Drains.

MATERIALS:

- T304 Stainless Steel
- T316 Stainless Steel

SLOPE: 0.5% Standard

DESIGN OPTIONS:

- ADA Compliant
- Material(\$): SS304(5), SS316(6)
- Slot Opening(#): 13mm(0), 25mm(1)
- End(*): Open(0), End Cap(1), Flush Nipple(5)
- Section Lengths: Full 2946mm, Half 1473mm
- Custom Lengths Available
- Left/Right versions available for wall install

FLOW RATE:

- 13mm 42 lpm (per 305mm of drain)
- 25mm 68 lpm (per 305mm of drain)

LOAD CLASS: C

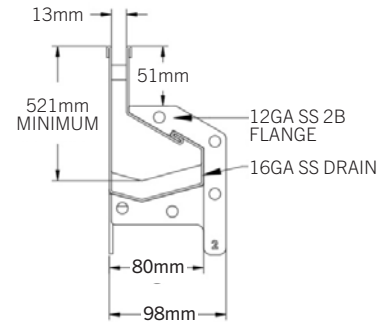
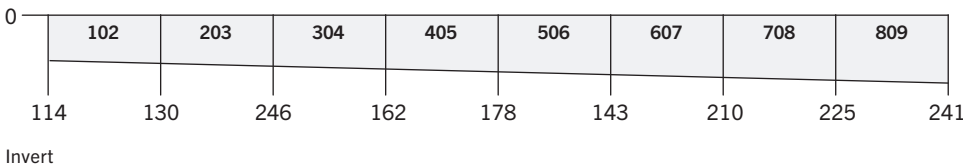
ACCESSORIES:

Cleaning Paddle, Flush Flo

INSTALLATION:

The 4000 Series Landscape Slot Drain shall be installed in accordance with the manufacturer's installation instructions and recommendations.

TYPICAL MODULAR LAYOUT OF A 4000 SERIES SLOT DRAIN®
(Sections fit together as illustrated below)



DRAIN CHANNELS DESCRIPTION	PART NUMBER	INVERT SHALLOW (mm)	INVERT DEEP (mm)
4000 SERIES SS SLOT 102 HALF	SD4\$*-102B	114	130
4000 SERIES SS SLOT 102	SD4\$*-102	114	130
4000 SERIES SS SLOT 203	SD4\$*-203	130	146
4000 SERIES SS SLOT 304	SD4\$*-304	146	162
4000 SERIES SS SLOT 405	SD4\$*-405	162	178
4000 SERIES SS SLOT 506	SD4\$*-506	178	194
4000 SERIES SS SLOT 607	SD4\$*-607	194	210
4000 SERIES SS SLOT 708	SD4\$*-708	210	225
4000 SERIES SS SLOT 809	SD4\$*-809	225	241

NOTE: Also available with 90° sections, 'T' sections, and Transition Pits for all of the depths specified above.

CATCH BASIN DESCRIPTION	TOP WIDTH (mm)	TOP LENGTH (mm)	BOTTOM WIDTH (mm)	BOTTOM LENGTH (mm)	HEIGHT (mm)	OUTLET SIZE (mm)
4000 SS CB SMALL	152	152	152	152	305	102
4000 SS CM MEDIUM	152	305	152	305	305	102

LID: Standard and Pan-Lid options are available. Strainer is part of the Catch Basin.

Specifying engineer is responsible for concrete encasement and reinforcing based upon application and local codes. Landscape Drains reserves the right to change the product and specifications without notice.