

GENERAL:

The surface drainage system shall be 3000 Series Landscape Slot Drain complete with slotted linear trench opening as manufactured by Landscape Drains.

MATERIALS:

- T304 Stainless Steel Lip
- T316 Stainless Steel Lip
- Aluminum Body

DESIGN OPTIONS:

- Lip Material(\$): SS304(5), SS316(6)
- Slot Opening(#): 13mm(0)
- End(*): Open(0), End Cap(1), Flush Nipple(5)
- Thickness(^): 16GA(1), 14GA()
- Section Lengths: 1016mm
- Custom Lengths Available
- **All Neutral Drain Sections**

FLOW RATE:

- 13mm 42 lpm (per 305mm of drain)

LOAD CLASS: A

ACCESSORIES:

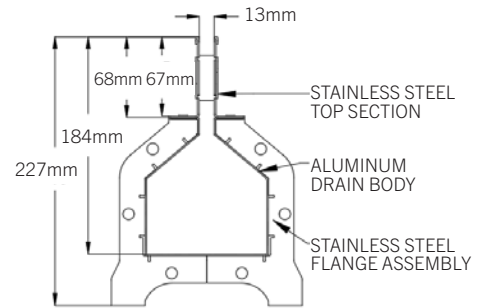
Cleaning Paddle, Flush Flo

INSTALLATION:

The 3000 Series Landscape Slot Drain shall be installed in accordance with the manufacturer's installation instructions and recommendations.

TYPICAL PROFILE OF A 3000 SERIES SLOT DRAIN®

101	101	101	101	101	101
-----	-----	-----	-----	-----	-----



DRAIN CHANNELS DESCRIPTION	PART NUMBER	INVERT DEEP (mm)
3000 SERIES ALUMINUM SLOT - 67mm TOP	SD3\$*#^-101	183

CATCH BASIN DESCRIPTION	TOP WIDTH (mm)	TOP LENGTH (mm)	BOTTOM WIDTH (mm)	BOTTOM LENGTH (mm)	HEIGHT (mm)	OUTLET HEIGHT (mm)
3000 SS CB	181	181	152	181	217	102

Specifying engineer is responsible for concrete encasement and reinforcing based upon application and local codes. Landscape Drains reserves the right to change the product and specifications without notice.