

GENERAL:

The surface drainage system shall be 3000 Series Landscape Slot Drain complete with slotted linear trench opening as manufactured by Landscape Drains.

MATERIALS:

- T304 Stainless Steel Lip
- T316 Stainless Steel Lip
- Aluminum Body

DESIGN OPTIONS:

- Lip Material(\$): SS304(5), SS316(6)
- Slot Opening(#): 1/2"(0)
- End(*): Open(0), End Cap(1), Flush Nipple(5)
- Thickness(^): 16GA(1), 14GA()
- Section Lengths: 40"
- Custom Lengths Available
- **All Neutral Drain Sections**

FLOW RATE:

- 1/2" 11 gpm (per foot of drain)

LOAD CLASS: A

ACCESSORIES:

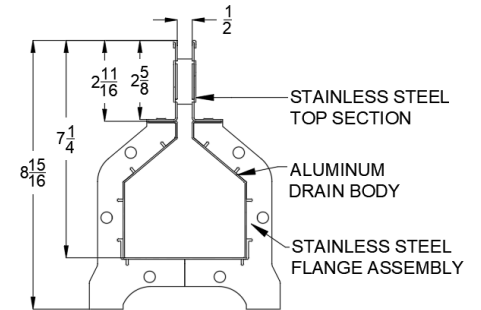
Cleaning Paddle, Flush Flo

INSTALLATION:

The 3000 Series Landscape Slot Drain shall be installed in accordance with the manufacturer's installation instructions and recommendations.

TYPICAL PROFILE OF A 3000 SERIES SLOT DRAIN*

101	101	101	101	101	101
-----	-----	-----	-----	-----	-----



DRAIN CHANNELS DESCRIPTION	PART NUMBER	INVERT DEEP (INCHES)
3000 SERIES ALUMINUM SLOT - 2 5/8" TOP	SD3\$*#^101	7 3/16

CATCH BASIN DESCRIPTION	TOP WIDTH (INCHES)	TOP LENGTH (INCHES)	BOTTOM WIDTH (INCHES)	BOTTOM LENGTH (INCHES)	HEIGHT (INCHES)	OUTLET HEIGHT (INCHES)
3000 SS CB	7 1/8	7 1/8	6 1/8	7 1/8	8 9/16	4

Specifying engineer is responsible for concrete encasement and reinforcing based upon application and local codes. Landscape Drains reserves the right to change the product and specifications without notice.