

GENERAL:

The surface drainage system shall be Landscape Drains 4000 Series - Catch Basin, as manufactured by Landscape Drains.

MATERIALS:

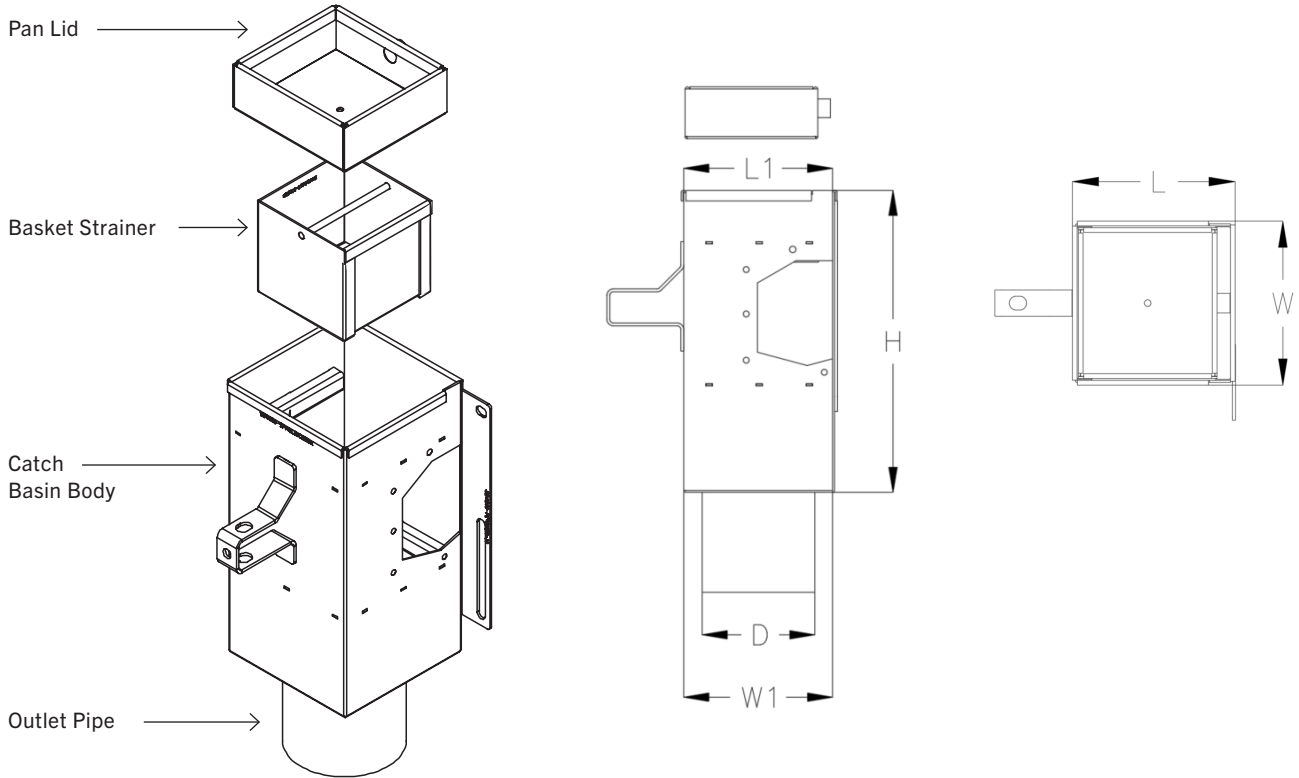
- T304 Stainless Steel
- T316 Stainless Steel

LOAD CLASS: B

INSTALLATION:

The Landscape Drains 4000 Series - Catch Basin shall be installed in accordance with the manufacturer's installation instructions and recommendations.

TYPICAL PROFILE OF A LANDSCAPE DRAINS 4000 SERIES - CATCH BASIN



CATCH BASIN DESCRIPTION (IN INCHES)	TOP WIDTH (W)	TOP LENGTH (L)	BOTTOM WIDTH (W1)	BOTTOM LENGTH (L1)	HEIGHT (H)	OUTLET SIZE (D)
4000 SS Small 6x6	6 ¼	6 ¼	6	6	12 ½ ₁₆	4
4000 SS Medium 6x6	6 ¼	6 ¼	6	6	14 ½ ₁₆	4
4000 SS Large 6x6	6 ¼	6 ¼	6	6	16 ½ ₁₆	4
4000 SS Small 6x12	6 ¼	12 ¼	6	12	12 ½ ₁₆	4
4000 SS Medium 6x12	6 ¼	12 ¼	6	12	14 ½ ₁₆	4
4000 SS Large 6x12	6 ¼	12 ¼	6	12	16 ½ ₁₆	4

NOTE:
Available in 3 different design options according to the drain length. Flange - 5 catch basin - up to 4 drain sections (6/12 x 6 x 12 ½₁₆). Flange - 8 catch basin - up to 7 drain sections (6/12 x 6 x 14 ½₁₆). Flange - 11 catch basin - up to 10 drain sections (6/12 x 6 x 16 ½₁₆). Custom sizes are available as required. Pan Lid & Solid Lid is our standard design, also custom lids available as required. SCH40 Pipes are standard design, also SCH10 available as required. Optionally available end, side outlets. End or middle Catch Basin is our standard, also available in "Tee" or cross connection catch basin.

Specifying engineer is responsible for concrete encasement and reinforcing based upon application and local codes. Landscape Drains reserves the right to change the product and specifications without notice.