

GENERAL:

The surface drainage system shall be 2000 T-Series Elevator Threshold Drain complete with slotted linear trench opening as manufactured by Slot Drain Systems.

LOAD CLASS: A

OUTLET: 102mm SCH10 Center Bottom

SLOPE: Neutral

DESIGN FEATURES:

- Material: T304, T316 Stainless Steel
- Slot Opening: 71mm Total
- End: End Cap
- Thickness: 16GA
- Section Lengths: 914mm (Minimum), 1067mm, 1219mm
- Custom Lengths Available
- Lockable Heel Proof Insert
- Adjustable Grate Height

FLOW RATE:

Flow rate dependent on grate style.
See table below.

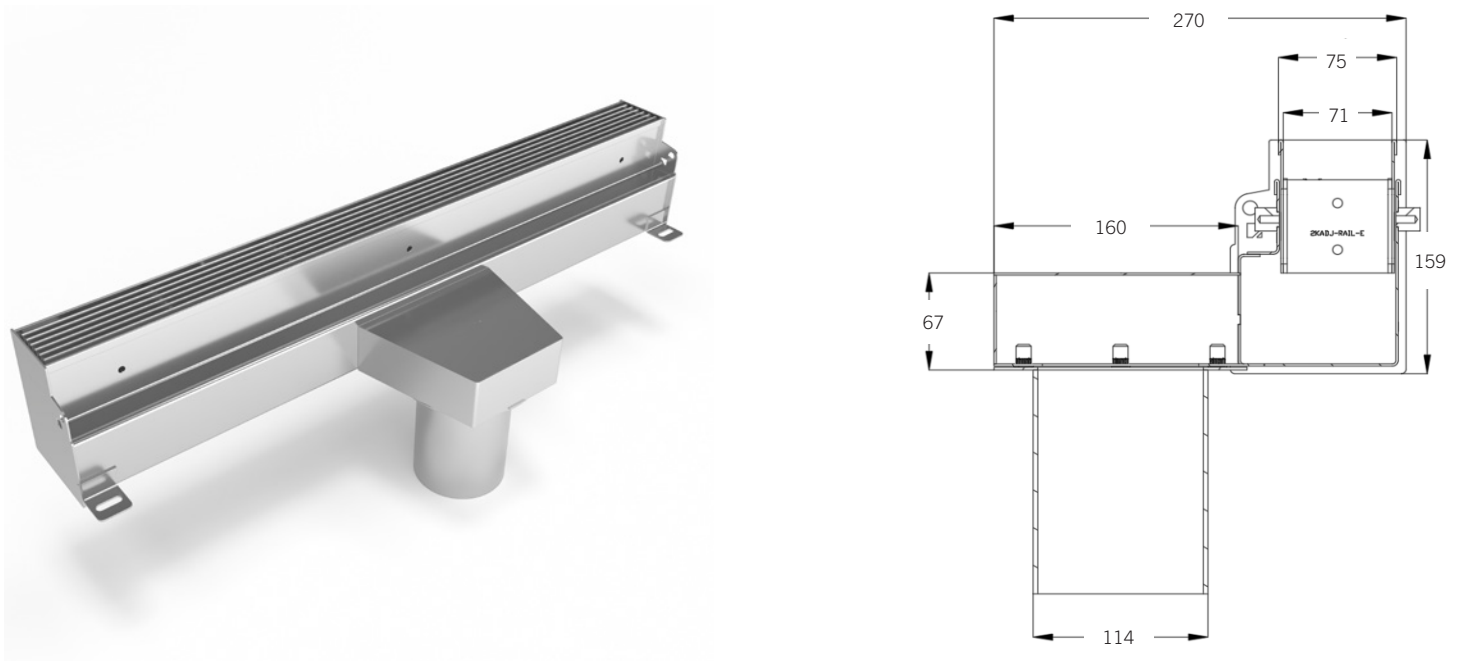
THIS DRAIN CONFIGURATION COMPLIES WITH:

- ASME A112.6.3/CSA B79.3
- NYC BC 403.6.1, BC 3007.3
- California Building Code 403.6.1, 403.6.2, 3007.4, 3008.4
- San Fransico Fire Code, Section 511.1.4
- IAPMO Rated

INSTALLATION:

The 2000 T-Series Elevator Threshold Drain shall be installed in accordance with the manufacturer's installation instructions and recommendations.

TYPICAL PROFILE OF A 2000 T-SERIES ELEVATOR THRESHOLD DRAIN



| DRAIN CHANNELS DESCRIPTION | PART NUMBER | INVERT SHALLOW (mm) | INVERT DEEP (mm) |
|---|--------------------|---------------------|------------------|
| 2000 T-SERIES ELEVATOR THRESHOLD DRAIN - 914mm SECTION | SD25191T-101C36B4A | 152 | 152 |
| 2000 T-SERIES ELEVATOR THRESHOLD DRAIN - 1067mm SECTION | SD25191T-101C42B4A | 152 | 152 |
| 2000 T-SERIES ELEVATOR THRESHOLD DRAIN - 1219mm SECTION | SD25191T-101C48B4A | 152 | 152 |

| GRATE OPTIONS | FLOW RATE PER 305mm OF DRAIN | FLOW RATE PER 914mm OF DRAIN |
|---------------|------------------------------|------------------------------|
| BAR | 144 lpm | 379 lpm |
| ANGLE | 144 lpm | 379 lpm |
| WEAVE | 144 lpm | 379 lpm |
| FLOW | 76 lpm | 227 lpm |

NOTE: Default slot opening for 914mm long drain is 71mm. Length customizations available based on project requirements. Default end caps welded to drain body. Color options available. Neutral Drain System.

Specifying engineer is responsible for concrete encasement and reinforcing based upon application and local codes. Global Drain Technologies reserves the right to change the product and specifications without notice.