

GENERAL:

The surface drainage system shall be Trench Drain - Round, to be used with trench grates as manufactured by FoodSafe Drains.

MATERIALS:

- 14 GA. T304 Stainless Steel
- T316 Stainless Steel

SLOPE: 0.5% Standard

DESIGN OPTIONS:

- Material(\$): SS 304(5), SS 316(6)
- End(*): Open(0), End Cap(1), Flush Nipple(5)
- Trench Grate Height(^): 6mm w Spacer to 51mm
- Trench Grate Width(#): (W2), 152mm, 203mm, 254mm, 305mm
- Outlet Diameter: 76mm, 102mm, 152mm
- Standard Lengths: 2946mm, 1473mm
- Custom Lengths Available

GRATES:

Bar Grate with Optional Serration/Antislip Design

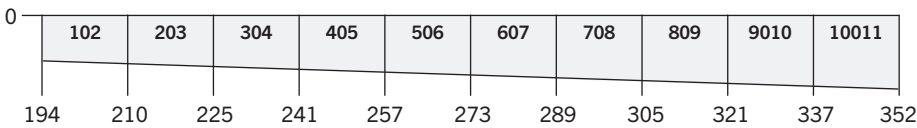
LOAD CLASS: A15 to E600 Available

INSTALLATION:

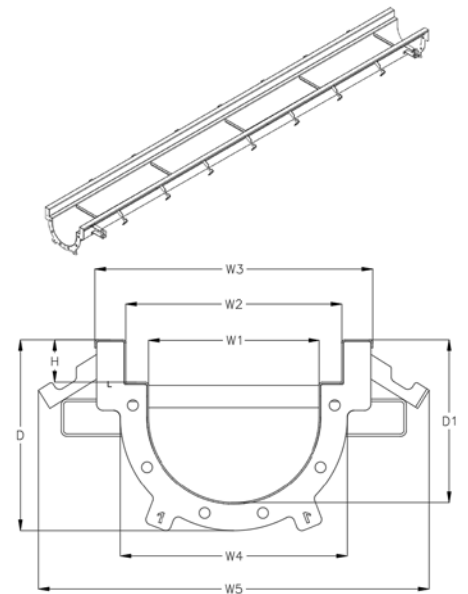
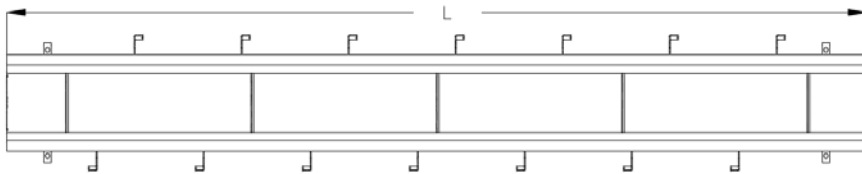
The Trench Drain - Round Bottom shall be installed in accordance with the manufacturer's installation instructions and recommendations. Trench sections are manufactured with leveling bars and flanges to secure the drain within the concrete slab.

TYPICAL MODULAR LAYOUT OF A FOODSAFE TRENCH DRAIN - ROUND BOTTOM

(Sections fit together as illustrated below)



Invert



DRAIN CHANNELS DESCRIPTION	PART NUMBER	INVERT SHALLOW (mm D1)	INVERT DEEP (mm D2)
FSD TRENCH - ROUND 102	FTR\$*^#-102	194	210
FSD TRENCH - ROUND 203	FTR\$*^#-203	210	225
FSD TRENCH - ROUND 304	FTR\$*^#-304	225	241
FSD TRENCH - ROUND 405	FTR\$*^#-405	241	257
FSD TRENCH - ROUND 506	FTR\$*^#-506	257	273
FSD TRENCH - ROUND 607	FTR\$*^#-607	273	289
FSD TRENCH - ROUND 708	FTR\$*^#-708	289	305
FSD TRENCH - ROUND 809	FTR\$*^#-809	305	321
FSD TRENCH - ROUND 9010	FTR\$*^#-9010	321	337
FSD TRENCH - ROUND 10011	FTR\$*^#-10011	337	352

NOTE: Catch Basins are available in any custom dimensions. Also available with 90° sections, 'T' sections, and Transition Pits for all of the depths specified above. Drain starting depth varies according to the width of the trench drain.

Specifying engineer is responsible for concrete encasement and reinforcing based upon application and local codes. FoodSafe Drains reserves the right to change the product and specifications without notice.

GENERAL:

The surface drainage system shall be Trench Drain - Round, to be used with trench grates as manufactured by FoodSafe Drains.

MATERIALS:

- 14 GA. T304 Stainless Steel
- T316 Stainless Steel

SLOPE: 0.5% Standard

DESIGN OPTIONS:

- Material(\$): SS 304(5), SS 316(6)
- End(*): Open(0), End Cap(1), Flush Nipple(5)
- Trench Grate Height(^): 6mm w Spacer to 51mm
- Trench Grate Width(#): (W2) 356mm
- Outlet Diameter: 76mm, 102mm, 152mm
- Standard Lengths: 2946mm, 1473mm
- Custom Lengths Available

GRATES:

Bar Grate with Optional Serration/Antislip Design

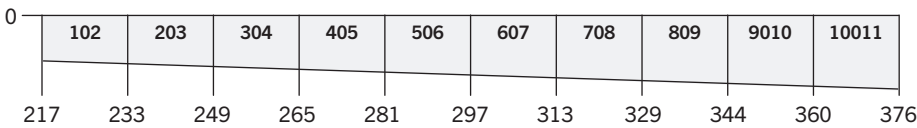
LOAD CLASS: A15 to E600 Available

INSTALLATION:

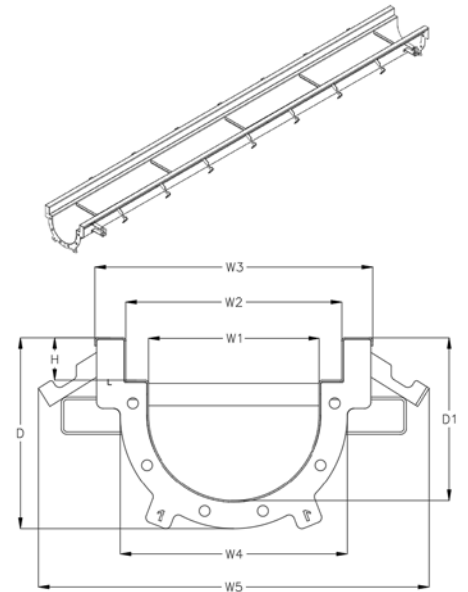
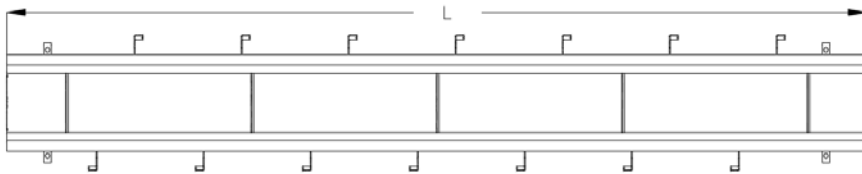
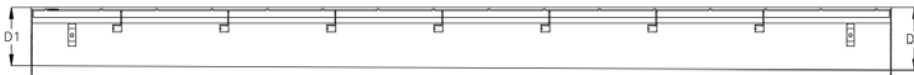
The Trench Drain - Round Bottom shall be installed in accordance with the manufacturer's installation instructions and recommendations. Trench sections are manufactured with leveling bars and flanges to secure the drain within the concrete slab.

TYPICAL MODULAR LAYOUT OF A FOODSAFE TRENCH DRAIN - ROUND BOTTOM

(Sections fit together as illustrated below)



Invert



DRAIN CHANNELS DESCRIPTION	PART NUMBER	INVERT SHALLOW (mm D1)	INVERT DEEP (mm D2)
FSD TRENCH - ROUND 102	FTR\$*^#-102	217	233
FSD TRENCH - ROUND 203	FTR\$*^#-203	233	249
FSD TRENCH - ROUND 304	FTR\$*^#-304	249	265
FSD TRENCH - ROUND 405	FTR\$*^#-405	265	281
FSD TRENCH - ROUND 506	FTR\$*^#-506	281	297
FSD TRENCH - ROUND 607	FTR\$*^#-607	297	313
FSD TRENCH - ROUND 708	FTR\$*^#-708	313	329
FSD TRENCH - ROUND 809	FTR\$*^#-809	329	344
FSD TRENCH - ROUND 9010	FTR\$*^#-9010	344	360
FSD TRENCH - ROUND 10011	FTR\$*^#-10011	360	376

NOTE: Catch Basins are available in any custom dimensions. Also available with 90° sections, 'T' sections, and Transition Pits for all of the depths specified above. Drain starting depth varies according to the width of the trench drain.

Specifying engineer is responsible for concrete encasement and reinforcing based upon application and local codes. FoodSafe Drains reserves the right to change the product and specifications without notice.