

**GENERAL:**

The surface drainage system shall be Trench Drain - Round, to be used with trench grates as manufactured by FoodSafe Drains.

**MATERIALS:**

- 14 GA. T304 Stainless Steel
- T316 Stainless Steel

**SLOPE:** 0.5% Standard

**DESIGN OPTIONS:**

- Material(\$): SS 304(5), SS 316(6)
- End(\*): Open(0), End Cap(1), Flush Nipple(5)
- Trench Grate Height(^): 1/4" w Spacer to 2"
- Trench Grate Width(#): (W2), 6", 8", 10", 12"
- Outlet Diameter: 3", 4", 6"
- Standard Lengths: 9' 8", 4' 10"
- Custom Lengths Available

**GRATES:**

Bar Grate with Optional Serration/Antislip Design

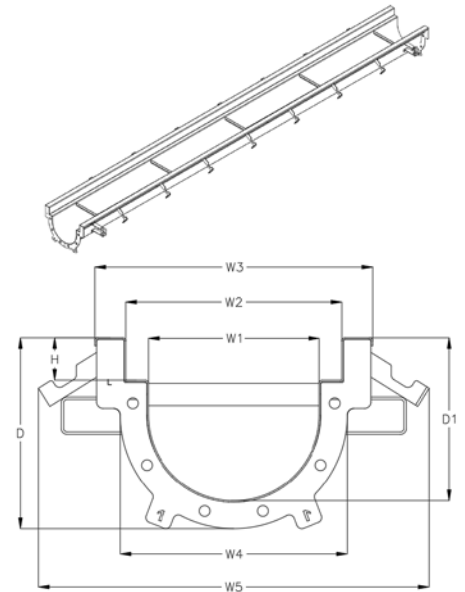
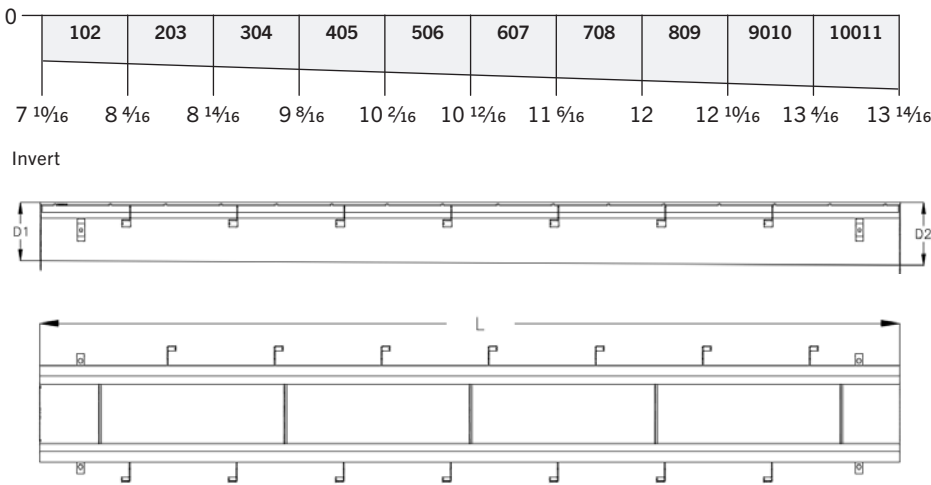
**LOAD CLASS:** A15 to E600 Available

**INSTALLATION:**

The Trench Drain - Round Bottom shall be installed in accordance with the manufacturer's installation instructions and recommendations. Trench sections are manufactured with leveling bars and flanges to secure the drain within the concrete slab.

**TYPICAL MODULAR LAYOUT OF A FOODSAFE TRENCH DRAIN - ROUND BOTTOM**

(Sections fit together as illustrated below)



DRAIN CHANNELS DESCRIPTION	PART NUMBER	INVERT SHALLOW (INCHES D1)	INVERT DEEP (INCHES D2)
FSD TRENCH - ROUND 102	FTR\$*^#-102	7 10/16	8 4/16
FSD TRENCH - ROUND - 203	FTR\$*^#-203	8 4/16	8 14/16
FSD TRENCH - ROUND - 304	FTR\$*^#-304	8 14/16	9 8/16
FSD TRENCH - ROUND - 405	FTR\$*^#-405	9 8/16	10 2/16
FSD TRENCH - ROUND - 506	FTR\$*^#-506	10 2/16	10 12/16
FSD TRENCH - ROUND - 607	FTR\$*^#-607	10 12/16	11 6/16
FSD TRENCH - ROUND - 708	FTR\$*^#-708	11 6/16	12
FSD TRENCH - ROUND - 809	FTR\$*^#-809	12	12 10/16
FSD TRENCH - ROUND - 9010	FTR\$*^#-9010	12 10/16	13 4/16
FSD TRENCH - ROUND - 10011	FTR\$*^#-10011	13 4/16	13 14/16

NOTE: Catch Basins are available in any custom dimensions. Also available with 90° sections, 'T' sections, and Transition Pits for all of the depths specified above. Drain starting depth varies according to the width of the trench drain.

Specifying engineer is responsible for concrete encasement and reinforcing based upon application and local codes. FoodSafe Drains reserves the right to change the product and specifications without notice.

**GENERAL:**

The surface drainage system shall be Trench Drain - Round, to be used with trench grates as manufactured by FoodSafe Drains.

**MATERIALS:**

- 14 GA. T304 Stainless Steel
- T316 Stainless Steel

**SLOPE:** 0.5% Standard

**DESIGN OPTIONS:**

- Material(\$): SS 304(5), SS 316(6)
- End(\*): Open(0), End Cap(1), Flush Nipple(5)
- Trench Grate Height(^): 1/4" w Spacer to 2"
- Trench Grate Width(#): (W2), 14"
- Outlet Diameter: 3", 4", 6"
- Standard Lengths: 9' 8", 4' 10"
- Custom Lengths Available

**GRATES:**

Bar Grate with Optional Serration/Antislip Design

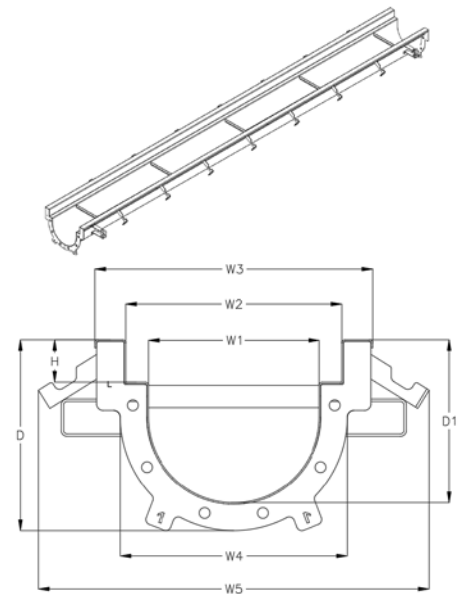
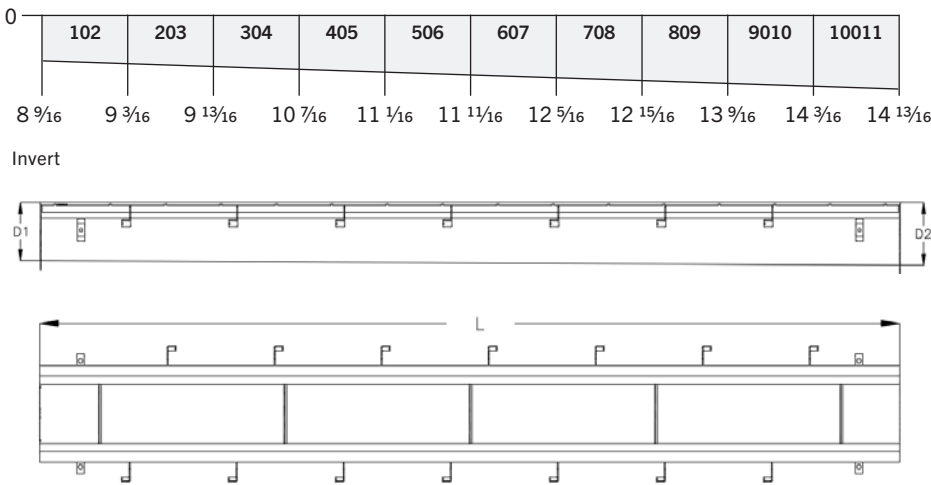
**LOAD CLASS:** A15 to E600 Available

**INSTALLATION:**

The Trench Drain - Round Bottom shall be installed in accordance with the manufacturer's installation instructions and recommendations. Trench sections are manufactured with leveling bars and flanges to secure the drain within the concrete slab.

**TYPICAL MODULAR LAYOUT OF A FOODSAFE TRENCH DRAIN - ROUND BOTTOM**

(Sections fit together as illustrated below)



DRAIN CHANNELS DESCRIPTION	PART NUMBER	INVERT SHALLOW (INCHES D1)	INVERT DEEP (INCHES D2)
FSD TRENCH - ROUND 102	FTR\$^*^#-L102	8 9/16	9 3/16
FSD TRENCH - ROUND - 203	FTR\$^*^#-L203	9 3/16	9 13/16
FSD TRENCH - ROUND - 304	FTR\$^*^#-L304	9 13/16	10 7/16
FSD TRENCH - ROUND - 405	FTR\$^*^#-L405	10 7/16	11 1/16
FSD TRENCH - ROUND - 506	FTR\$^*^#-L506	11 1/16	11 11/16
FSD TRENCH - ROUND - 607	FTR\$^*^#-L607	11 11/16	12 5/16
FSD TRENCH - ROUND - 708	FTR\$^*^#-L708	12 5/16	12 15/16
FSD TRENCH - ROUND - 809	FTR\$^*^#-L809	12 15/16	13 3/16
FSD TRENCH - ROUND - 9010	FTR\$^*^#-L9010	13 3/16	14 3/16
FSD TRENCH - ROUND - 10011	FTR\$^*^#-L10011	14 3/16	14 13/16

NOTE: Catch Basins are available in any custom dimensions. Also available with 90° sections, 'T' sections, and Transition Pits for all of the depths specified above. Drain starting depth varies according to the width of the trench drain.

Specifying engineer is responsible for concrete encasement and reinforcing based upon application and local codes. FoodSafe Drains reserves the right to change the product and specifications without notice.