

GENERAL:

The surface drainage system shall be Trench Drain - Flat, to be used with trench grates as manufactured by FoodSafe Drains.

MATERIALS:

- 14 GA. T304 Stainless Steel
- T316 Stainless Steel

SLOPE: 0.5% Standard

DESIGN OPTIONS:

- Material(\$): SS 304(5), SS 316(6), GS(0)
- End(*): Open(0), End Cap(1), Flush Nipple(5)
- Trench Grate Height(^): 6mm w Spacer to 51mm
- Trench Grate Width(#): (W2) 152mm, 203mm, 254mm, 305mm, 356mm, 406mm
- Outlet Diameter: 76mm, 102mm, 152mm
- Standard Lengths: 2946mm, 1473mm
- Custom Lengths Available

GRATES:

Bar grate with Optional Serration/Antislip Design

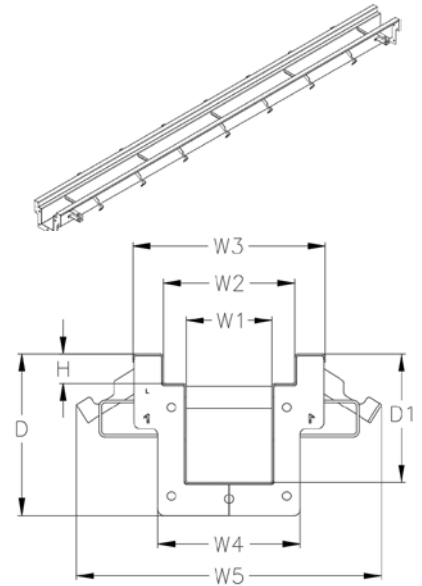
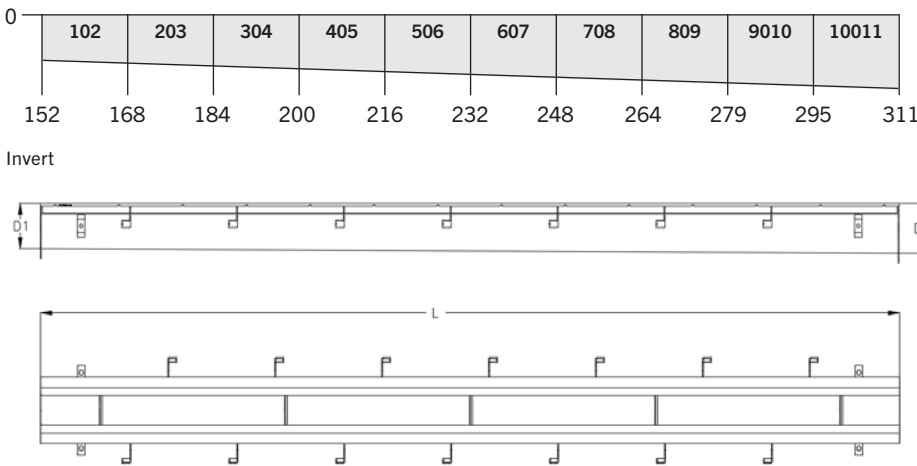
LOAD CLASS: A15 to E600 Available

INSTALLATION:

The Trench Drain - Flat Bottom shall be installed in accordance with the manufacturer's installation instructions and recommendations. Trench sections are manufactured with leveling bars and flanges to secure the drain within the concrete slab.

TYPICAL MODULAR LAYOUT OF A FOODSAFE TRENCH DRAIN - FLAT BOTTOM

(Sections fit together as illustrated below)



DRAIN CHANNELS DESCRIPTION	PART NUMBER	INVERT SHALLOW (mm D1)	INVERT DEEP (mm D2)
FSD TRENCH - FLAT 102	FTF\$^*^#-L102	152	168
FSD TRENCH - FLAT 203	FTF\$^*^#-L203	168	184
FSD TRENCH - FLAT 304	FTF\$^*^#-L304	184	200
FSD TRENCH - FLAT 405	FTF\$^*^#-L405	200	216
FSD TRENCH - FLAT 506	FTF\$^*^#-L506	216	232
FSD TRENCH - FLAT 607	FTF\$^*^#-L607	232	248
FSD TRENCH - FLAT 708	FTF\$^*^#-L708	248	264
FSD TRENCH - FLAT 809	FTF\$^*^#-L809	264	279
FSD TRENCH - FLAT 9010	FTF\$^*^#-L9010	279	295
FSD TRENCH - FLAT 10011	FTF\$^*^#-L10011	295	311

NOTE: Catch Basins are available in any custom dimensions. Also available with 90° sections, 'T' sections, and Transition Pits for all of the depths specified above.

Specifying engineer is responsible for concrete encasement and reinforcing based upon application and local codes. FoodSafe Drains reserves the right to change the product and specifications without notice.