

GENERAL:

The P-Trap is a stainless steel accessory that can be used in areas of drainage to prevent sewer gas from entering a facility. It is recommended to be used with all FoodSafe Catch Basins, Area Drains, Hub Drains, and Floor Sink bottom/vertical outlets.

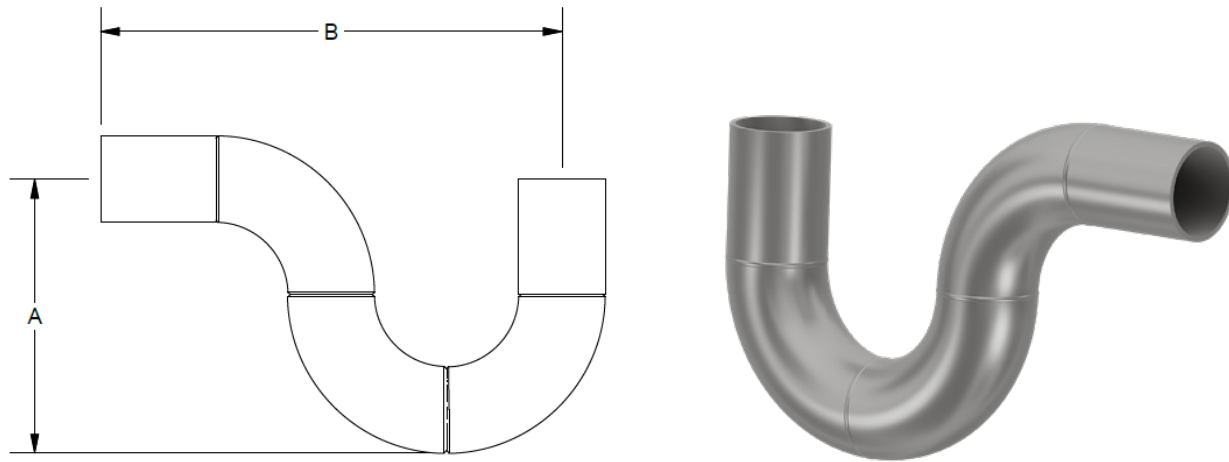
MATERIALS

- T304 Stainless Steel
- T316 Stainless Steel

INSTALLATION:

The FoodSafe P-Trap shall be installed in accordance with the manufacturer's installation instructions and recommendations.

TYPICAL PROFILE OF A P-TRAP



DRAIN CHANNELS DESCRIPTION	PART NUMBER	PIPE SCHEDULE	A (mm)	B (mm)
P-TRAP WITH 3" PIPE, SCHEDULE 10	PTRAP-53A	10	273	495
P-TRAP WITH 3" PIPE, SCHEDULE 40	PTRAP-53	40	273	495
P-TRAP WITH 4" PIPE, SCHEDULE 10	PTRAP-54A	10	362	610
P-TRAP WITH 4" PIPE, SCHEDULE 40	PTRAP-54	40	362	610
P-TRAP WITH 6" PIPE, SCHEDULE 10	PTRAP-56A	10	541	838
P-TRAP WITH 6" PIPE, SCHEDULE 40	PTRAP-56	40	541	838
P-TRAP WITH 8" PIPE, SCHEDULE 10	PTRAP-58A	10	719	1067
P-TRAP WITH 8" PIPE, SCHEDULE 40	PTRAP-58	40	719	1067
P-TRAP WITH 10" PIPE, SCHEDULE 10	PTRAP-510A	10	898	1295
P-TRAP WITH 10" PIPE, SCHEDULE 40	PTRAP-510	40	898	1295
P-TRAP WITH 12" PIPE, SCHEDULE 10	PTRAP-512A	10	1076	1524
P-TRAP WITH 12" PIPE, SCHEDULE 40	PTRAP-512	40	1076	1524

Specifying engineer is responsible for concrete encasement and reinforcing based upon application and local codes. FoodSafe Drains reserves the right to change the product and specifications without notice.