

GENERAL:

FoodSafe Hub Drains are specialized drains made to provide drainage for equipment whose drainage outlets require an air gap before draining into the main wastewater system.

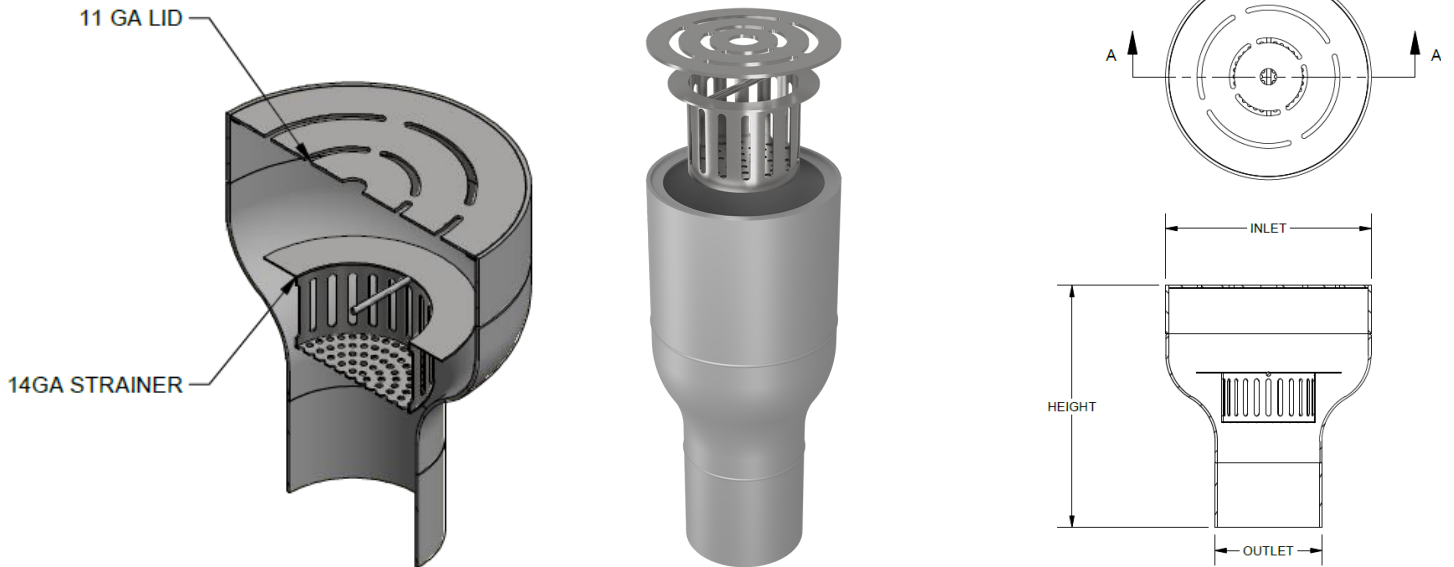
MATERIALS:

- Type 304L Stainless Steel
- Type 316L Stainless Steel
- Schedule 40
- Schedule 10

INSTALLATION:

The FoodSafe Hub Drain shall be installed in accordance with the manufacturer's installation instructions and recommendations.

TYPICAL PROFILE OF A FOODSAFE HUB DRAIN



DESCRIPTION	PART NUMBER	MATERIAL	INLET, NPS	OUTLET, NPS	PIPE SCHEDULE	HEIGHT
3 x 2 Hub Drain	FSHUB5010-32	Type 304L	3"	2"	SCH40	7.5"
4 x 3 Hub Drain	FSHUB5010-43	Type 304L	4"	3"	SCH40	8"
6 x 4 Hub Drain	FSHUB5010-64	Type 304L	6"	4"	SCH40	15"
8 x 4 Hub Drain	FSHUB5010-84	Type 304L	8"	4"	SCH40	15"
8 x 6 Hub Drain	FSHUB5010-86	Type 304L	8"	6"	SCH40	15"
12 x 6 Hub Drain	FSHUB5010-126	Type 304L	12"	6"	SCH40	15"
10 x 8 Hub Drain	FSHUB5010-108	Type 304L	10"	8"	SCH40	14"
12 x 8 Hub Drain	FSHUB5010-128	Type 304L	12"	8"	SCH40	15"
12 x 10 Hub Drain	FSHUB5010-1210	Type 304L	12"	10"	SCH40	15"
14 x 12 Hub Drain	FSHUB5010-1412	Type 304L	14"	12"	SCH40	20"
16 x 14 Hub Drain	FSHUB5010-1614	Type 304L	16"	14"	SCH40	21"

Visit foodsafedrains.com/products/foodsafes-hub-drain for more information. Specifying engineer is responsible for concrete encasement and reinforcing based upon application and local codes. FoodSafe Drains reserves the right to change the product and specifications without notice.