

GENERAL:

The Floor Clean Out is a stainless steel system that allows easy access to clear clogs and debris in underground drain lines. When not in use, it keeps your system secure - air and water tight.

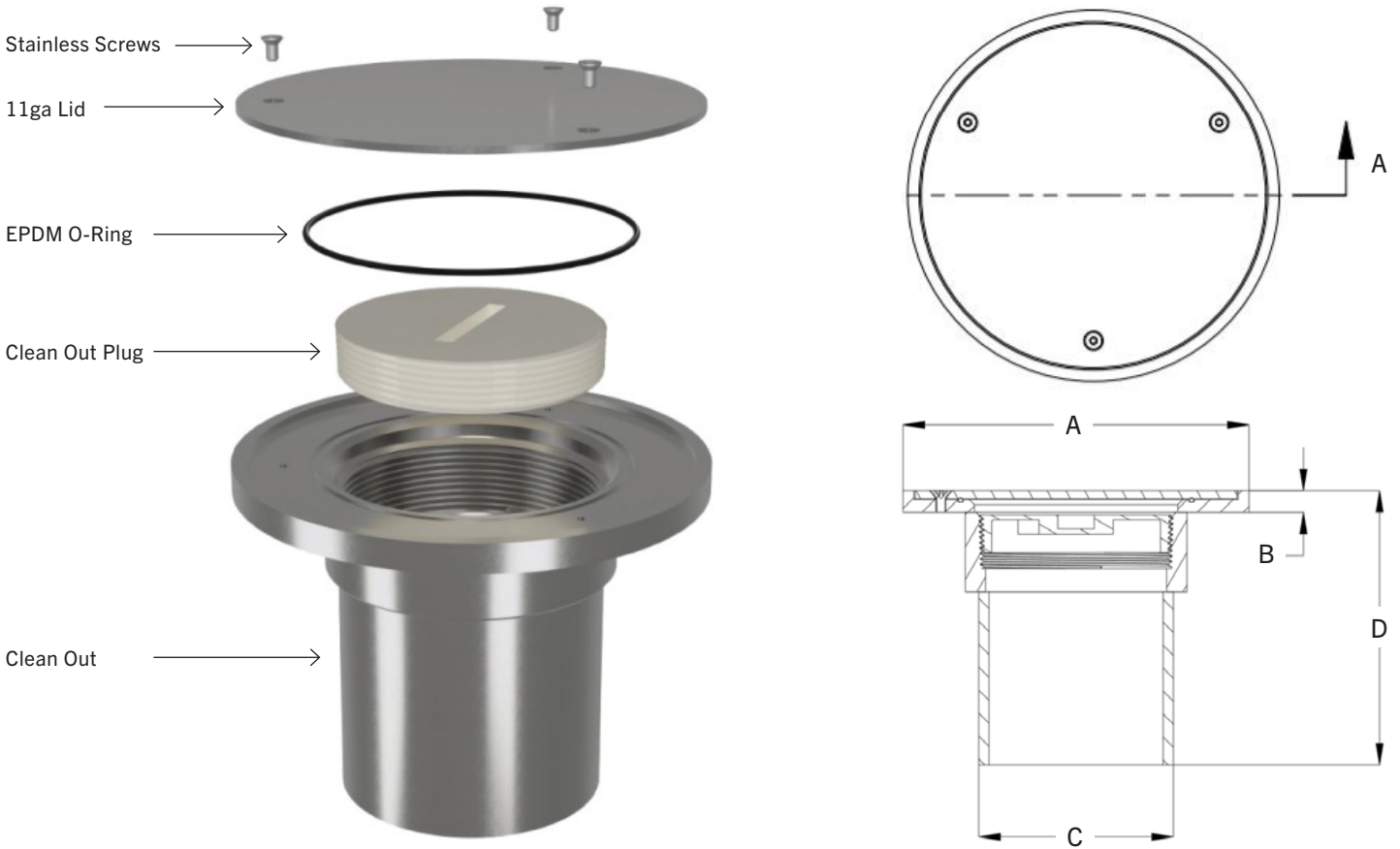
MATERIALS:

- T304 Stainless Steel
- T316 Stainless Steel
- EPDM

INSTALLATION:

The Floor Clean Out shall be installed in accordance with the manufacturers installation instructions and recommendations.

TYPICAL PROFILE OF A FOODSAFE DRAINS FLOOR CLEAN OUT



DESCRIPTION	PART NUMBER	PIPE SCHEDULE	A (mm)	B (mm)	C (NOMINAL SIZE)	D (mm)
FLOOR CLEAN OUT 203" TOP, 102" PIPE OUTLET SCH10	FSFC051-84A	10	203	13	100	160
FLOOR CLEAN OUT 203" TOP, 102" PIPE OUTLET SCH40	FSFC051-84	40	203	13	100	160
FLOOR CLEAN OUT 254" TOP, 152" PIPE OUTLET SCH10	FSFC052-106A	10	267	13	150	170
FLOOR CLEAN OUT 254" TOP, 152" PIPE OUTLET SCH40	FSFC052-106	40	267	13	150	170
FLOOR CLEAN OUT 305" TOP, 203" PIPE OUTLET SCH10	FSFC053-128A	10	305	13	200	235
FLOOR CLEAN OUT 305" TOP, 203" PIPE OUTLET SCH40	FSFC053-128	40	305	13	200	235

Specifying engineer is responsible for concrete encasement and reinforcing based upon application and local codes. FoodSafe Drains reserves the right to change the product and specifications without notice.