

GENERAL:

The Floor Clean Out is a stainless steel system that allows easy access to clear clogs and debris in underground drain lines. When not in use, it keeps your system secure - air and water tight.

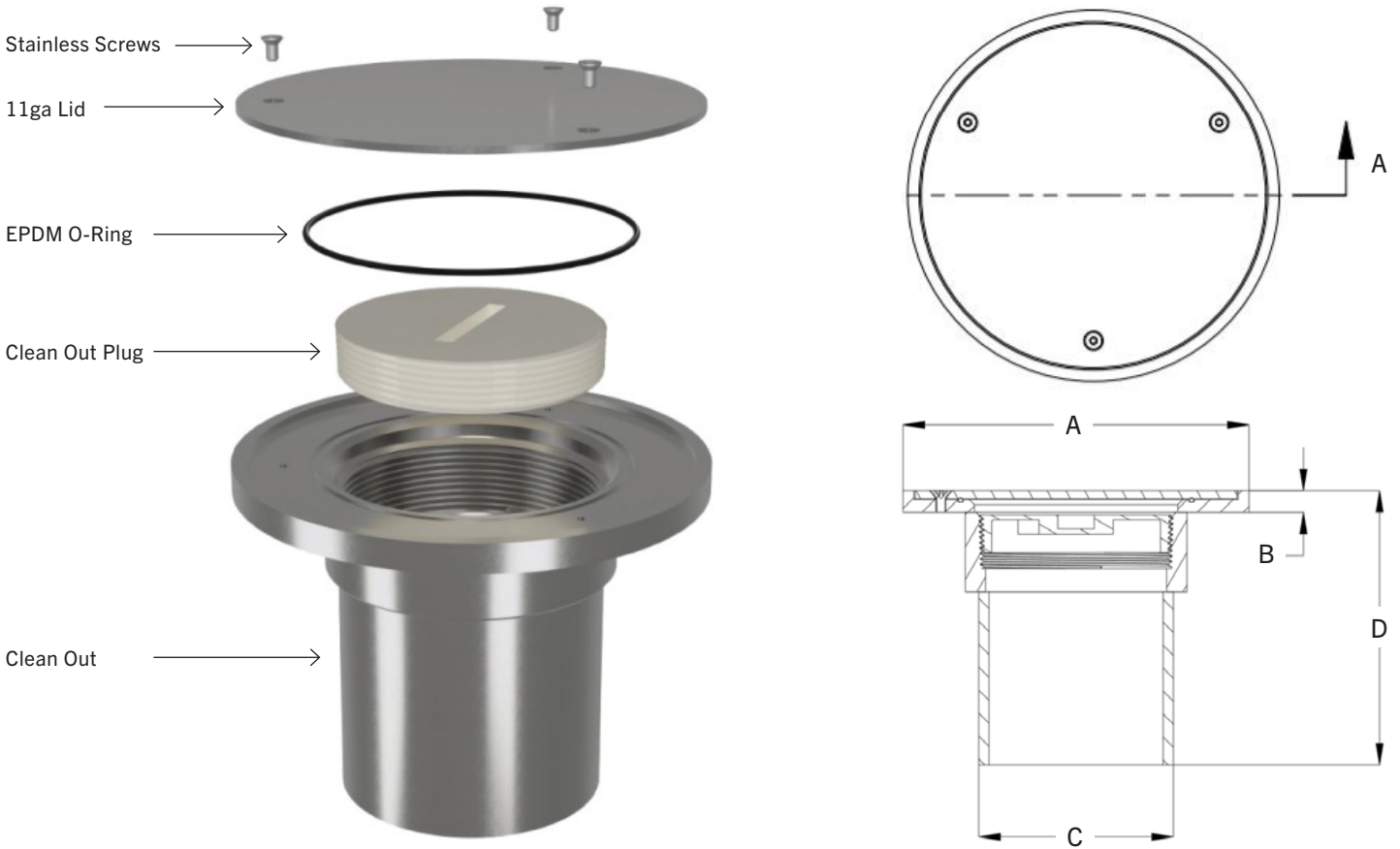
MATERIALS:

- T304 Stainless Steel
- T316 Stainless Steel
- EPDM

INSTALLATION:

The Floor Clean Out shall be installed in accordance with the manufacturers installation instructions and recommendations.

TYPICAL PROFILE OF A FOODSAFE DRAINS FLOOR CLEAN OUT



DESCRIPTION	PART NUMBER	PIPE SCHEDULE	A (INCHES)	B (INCHES)	C (NOMINAL SIZE)	D (INCHES)
FLOOR CLEAN OUT 8" TOP, 4" PIPE OUTLET SCH10	FSFC051-84A	10	8	0.5	4	6.3125
FLOOR CLEAN OUT 8" TOP, 4" PIPE OUTLET SCH40	FSFC051-84	40	8	0.5	4	6.3125
FLOOR CLEAN OUT 10" TOP, 6" PIPE OUTLET SCH10	FSFC052-106A	10	10.5	0.5	6	6.6875
FLOOR CLEAN OUT 10" TOP, 6" PIPE OUTLET SCH40	FSFC052-106	40	10.5	0.5	6	6.6875
FLOOR CLEAN OUT 12" TOP, 8" PIPE OUTLET SCH10	FSFC053-128A	10	12	0.5	8	9.25
FLOOR CLEAN OUT 12" TOP, 8" PIPE OUTLET SCH40	FSFC053-128	40	12	0.5	8	9.25

Specifying engineer is responsible for concrete encasement and reinforcing based upon application and local codes. FoodSafe Drains reserves the right to change the product and specifications without notice.