

SPECIFICATIONS

GENERAL:

The surface drainage system shall be FoodSafe Catch Basin, as manufactured by FoodSafe Drains.

MATERIALS:

T304 Stainless Steel or T316 Stainless Steel

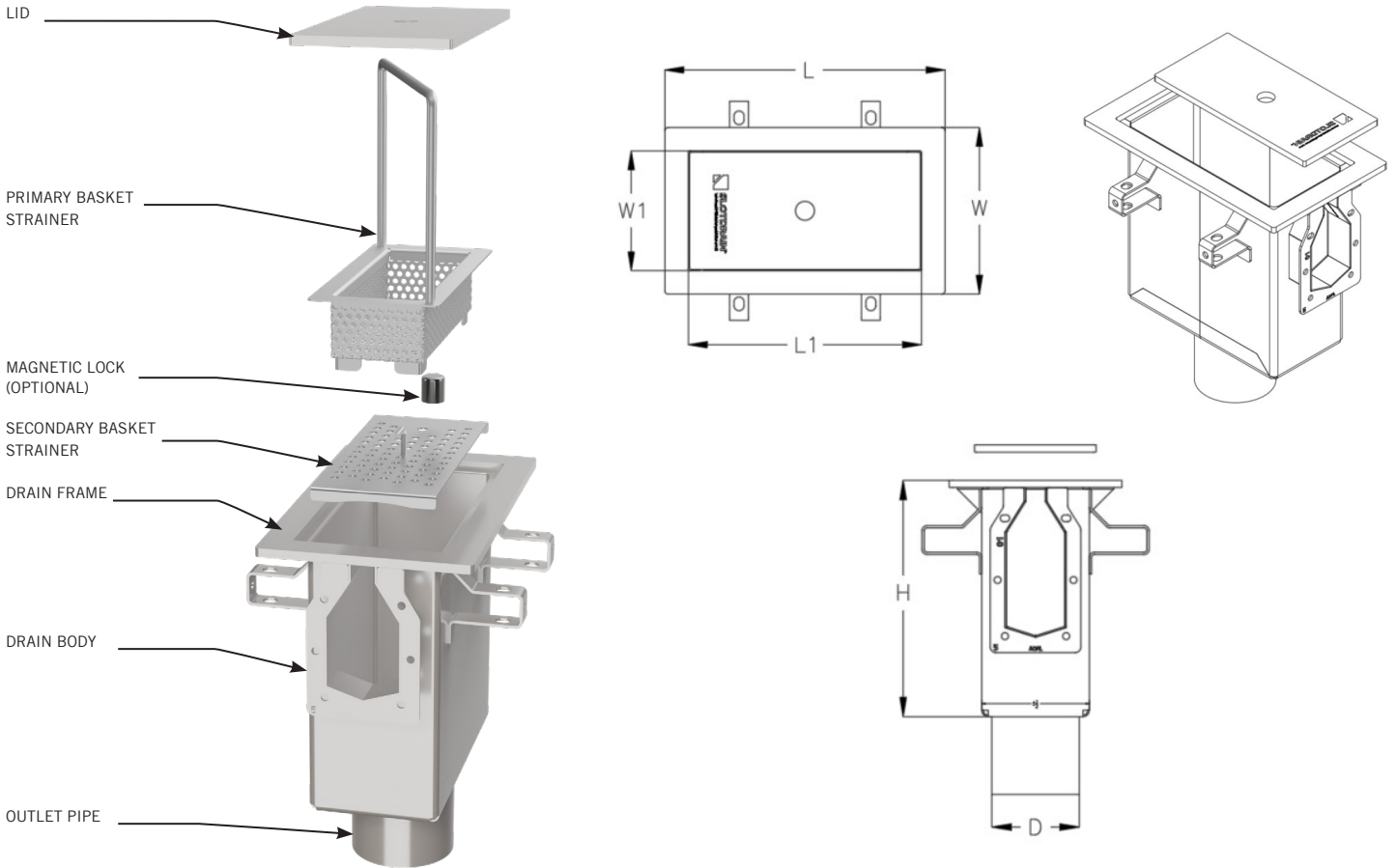
LOAD CLASS:

Load Class E

INSTALLATION:

The Food Safe Catch Basin shall be installed in accordance with the manufacturer's installation instructions and recommendations.

TYPICAL PROFILE OF A FOOD SAFE CATCH BASIN



CATCH BASIN

DESCRIPTION	TOP WIDTH		TOP LENGTH		BOTTOM WIDTH		BOTTOM LENGTH		HEIGHT		OUTLET SIZE	
	INCHES	MM	INCHES	MM	INCHES	MM	INCHES	MM	INCHES	MM	INCHES	MM
6000P SS SMALL 6 X 12	12 ³ / ₈	314	6 ³ / ₈	162	5 ¹ / ₂	140	11 ¹ / ₂	292	12 ³ / ₁₆	310	4	102
6000P SS LARGE 6 X 12	12 ³ / ₈	314	6 ³ / ₈	162	5 ¹ / ₂	140	11 ¹ / ₂	292	16 ³ / ₁₆	411	4	102
6000P SS SMALL 12 X 12	12 ³ / ₈	314	12 ³ / ₈	314	11 ¹ / ₂	292	11 ¹ / ₂	292	12 ³ / ₁₆	310	4 or 6	102 - 152
6000P SS LARGE 12 X 12	12 ³ / ₈	314	12 ³ / ₈	314	11 ¹ / ₂	292	11 ¹ / ₂	292	16 ³ / ₁₆	411	4 or 6	102 - 152

AVAILABLE IN 3 DIFFERENT DESIGN OPTIONS ACCORDING TO THE DRAIN LENGTH.
FLANGE - 5 CATCH BASIN - UP TO 4 DRAIN SECTIONS (6/12 X 12 X 12³/₁₆), FLANGE - 8 CATCH BASIN - UP TO 7 DRAIN SECTIONS (6/12 X 12 X 12³/₁₆), FLANGE - 11 CATCH BASIN - UP TO 10 DRAIN SECTIONS (6/12 X 12 X 16³/₁₆).

CUSTOM SIZES ARE AVAILABLE AS REQUIRED. SOLID LID WITH A HOLE IS OUR STANDARD DESIGN, ALSO CUSTOM LIDS AVAILABLE AS REQUIRED.
SCH40 PIPES ARE STANDARD DESIGN, ALSO SCH10 AVAILABLE AS REQUIRED. OPTIONALLY AVAILABLE END, SIDE OUTLETS.
END OR MIDDLE CATCH BASIN IS OUR STANDARD. ALSO AVAILABLE IN "TEE" OR CROSS CONNECTION CATCH BASIN. AVAILABLE IN MAGLOCK / NON MAGLOCK DESIGN OPTIONS.

SPECIFYING ENGINEER IS RESPONSIBLE FOR CONCRETE ENCASEMENT AND REINFORCING BASED UPON APPLICATION AND LOCAL CODES.
FOODSAFE DRAINS RESERVES THE RIGHT TO CHANGE THE PRODUCT AND SPECIFICATIONS WITHOUT NOTICE