

GENERAL:

The surface drainage system shall be 6000 PLUS-S Series Slot Drain® Systems complete with slotted linear trench opening as manufactured by Slot Drain® Systems.

MATERIALS:

- T304 Stainless Steel
- T316 Stainless Steel

SLOPE: 0.5% Standard

DESIGN OPTIONS:

- Material(\$): SS 304(5), SS 316(6)
- Slot Opening(#): 13mm(0), 25mm(1), 32mm (5)
- End(*): Open(0), End Cap(1), Flush Nipple(5)
- Section Lengths: Full 2946mm, Half 1473mm
- Custom Lengths Available

FLOW RATE:

- 13mm 42 lpm (per 305mm of drain)
- 25mm 68 lpm (per 305mm of drain)
- 32mm 102 lpm (per 305mm of drain)

LOAD CLASS: C

ACCESSORIES:

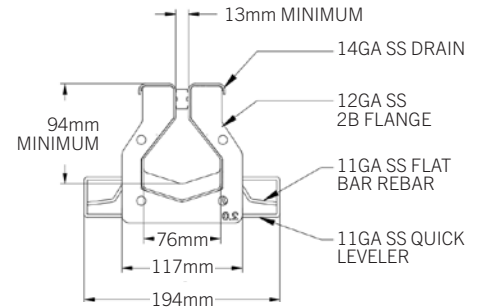
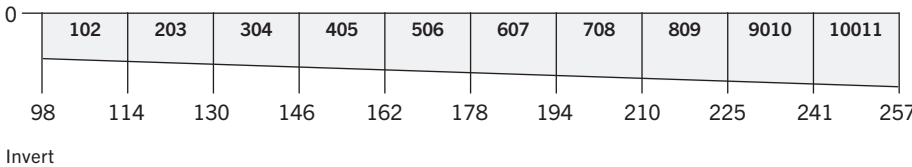
Cleaning Paddle, Cleaning Brush, Flush Flo, Slot Hog, Slot Dog, KeyForm

INSTALLATION:

The 6000 PLUS-S Series Slot Drain® Systems shall be installed in accordance with the manufacturer's installation instructions and recommendations.

TYPICAL MODULAR LAYOUT OF A 6000 PLUS-S SERIES SLOT DRAIN® SYSTEMS

(Sections fit together as illustrated below)



DRAIN CHANNELS DESCRIPTION	PART NUMBER	INVERT SHALLOW (mm)	INVERT DEEP (mm)
6000 PLUS-S SERIES SS SLOT 102	SD6\$*#PRS-102	98	114
6000 PLUS-S SERIES SS SLOT 203	SD6\$*#PRS-203	114	130
6000 PLUS-S SERIES SS SLOT 304	SD6\$*#PRS-304	130	146
6000 PLUS-S SERIES SS SLOT 405B	SD6\$*#PRS-405B	154	162
6000 PLUS-S SERIES SS SLOT 405	SD6\$*#PRS-405	146	162
6000 PLUS-S SERIES SS SLOT 506	SD6\$*#PRS-506	162	178
6000 PLUS-S SERIES SS SLOT 607	SD6\$*#PRS-607	178	194
6000 PLUS-S SERIES SS SLOT 708	SD6\$*#PRS-708	194	210
6000 PLUS-S SERIES SS SLOT 809	SD6\$*#PRS-809	210	225
6000 PLUS-S SERIES SS SLOT 9010	SD6\$*#PRS-9010	225	241
6000 PLUS-S SERIES SS SLOT 10011	SD6\$*#PRS-10011	241	257

NOTE: Also available with 90° sections, 'T' sections, and Transition Pits for all of the depths specified above.

CATCH BASIN DESCRIPTION	TOP WIDTH (mm)	TOP LENGTH (mm)	BOTTOM WIDTH (mm)	BOTTOM LENGTH (mm)	HEIGHT (mm)	OUTLET SIZE (mm)
6000P SS CB SMALL	152	152	152	152	305	102 or 152
6000P SS CM MEDIUM	152	305	152	305	305	102 or 152
6000P SS CB LARGE	305	305	305	305	305 or 406 or 508	102 or 152

LID: Standard, Tri-Clamp options are available. Strainer is part of the Catch Basin.

Specifying engineer is responsible for concrete encasement and reinforcing based upon application and local codes. FoodSafe Drains reserves the right to change the product and specifications without notice.