

GENERAL:

The surface drainage system shall be 6000 PLUS-S Series Slot Drain® Systems complete with slotted linear trench opening as manufactured by Slot Drain® Systems.

MATERIALS:

- T304 Stainless Steel
- T316 Stainless Steel

SLOPE: 0.5% Standard

DESIGN OPTIONS:

- Material(\$): SS 304(5), SS 316(6)
- Slot Opening(#): ½”(0), 1”(1), 1 ¼”(5)
- End(*): Open(0), End Cap(1), Flush Nipple(5)
- Section Lengths: Full 9’8”, Half 4’10”
- Custom Lengths Available

FLOW RATE:

- ½” 11 gpm (per foot of drain)
- 1 18 gpm (per foot of drain)
- 1 ¼” 27 gpm (per foot of drain)

LOAD CLASS: C

ACCESSORIES:

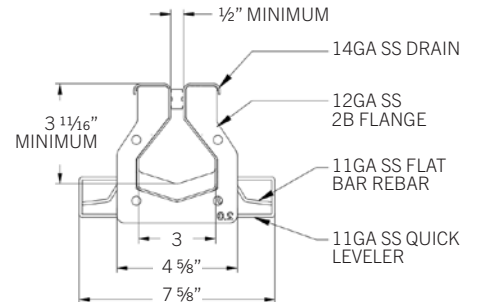
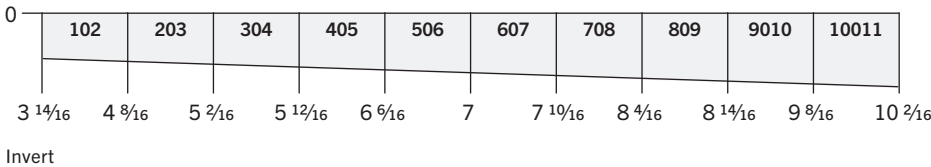
Cleaning Paddle, Cleaning Brush, Flush Flo, Slot Hog, Slot Dog, KeyForm

INSTALLATION:

The 6000 PLUS-S Series Slot Drain® Systems shall be installed in accordance with the manufacturer’s installation instructions and recommendations.

TYPICAL MODULAR LAYOUT OF A 6000 PLUS-S SERIES SLOT DRAIN® SYSTEMS

(Sections fit together as illustrated below)



DRAIN CHANNELS DESCRIPTION	PART NUMBER	INVERT SHALLOW (INCHES)	INVERT DEEP (INCHES)
6000 PLUS-S SERIES SS SLOT 102	SD6\$*#PS-102	3 1/16	4 8/16
6000 PLUS-S SERIES SS SLOT 203	SD6\$*#PS-203	4 8/16	5 2/16
6000 PLUS-S SERIES SS SLOT 304	SD6\$*#PS-304	5 2/16	5 12/16
6000 PLUS-S SERIES SS SLOT 405B	SD6\$*#PS-405B	6 1/16	6 6/16
6000 PLUS-S SERIES SS SLOT 405	SD6\$*#PS-405	5 12/16	6 6/16
6000 PLUS-S SERIES SS SLOT 506	SD6\$*#PS-506	6 6/16	7
6000 PLUS-S SERIES SS SLOT 607	SD6\$*#PS-607	7	7 10/16
6000 PLUS-S SERIES SS SLOT 708	SD6\$*#PS-708	7 10/16	8 4/16
6000 PLUS-S SERIES SS SLOT 809	SD6\$*#PS-809	8 4/16	8 14/16
6000 PLUS-S SERIES SS SLOT 9010	SD6\$*#PS-9010	8 14/16	9 8/16
6000 PLUS-S SERIES SS SLOT 10011	SD6\$*#PS-10011	9 8/16	10 2/16

NOTE: Also available with 90° sections, ‘T’ sections, and Transition Pits for all of the depths specified above.

CATCH BASIN DESCRIPTION	TOP WIDTH (INCHES)	TOP LENGTH (INCHES)	BOTTOM WIDTH (INCHES)	BOTTOM LENGTH (INCHES)	HEIGHT (INCHES)	OUTLET SIZE (INCHES)
6000P SS CB SMALL	6	6	6	6	12	4 or 6
6000P SS CM MEDIUM	6	12	6	12	12	4 or 6
6000P SS CB LARGE	12	12	12	12	12 or 16 or 20	4 or 6

LID: Standard, Tri-Clamp options are available. Strainer is part of the Catch Basin.

Specifying engineer is responsible for concrete encasement and reinforcing based upon application and local codes. FoodSafe Drains reserves the right to change the product and specifications without notice.