



SPECIFICATIONS

GENERAL:

The surface drainage system shall be FoodSafe Trench Catch Basin - Round, to be used with trench grates as manufactured by FoodSafe Drains.

MATERIALS:

14 ga. T304 Stainless Steel, T316 Stainless Steel

GRATES:

Bar grate with Optional Serration/Antislip Design

DESIGN OPTIONS:

Material (\$): SS 304(5), SS 316(6)
Trench Grate Height (^): 1/4" w Spacer to 2"
Trench Grate Width (#): (W2), 6", 8", 10", 12"
Outlet Diameter: 3", 4", 6"
(Custom design option available)

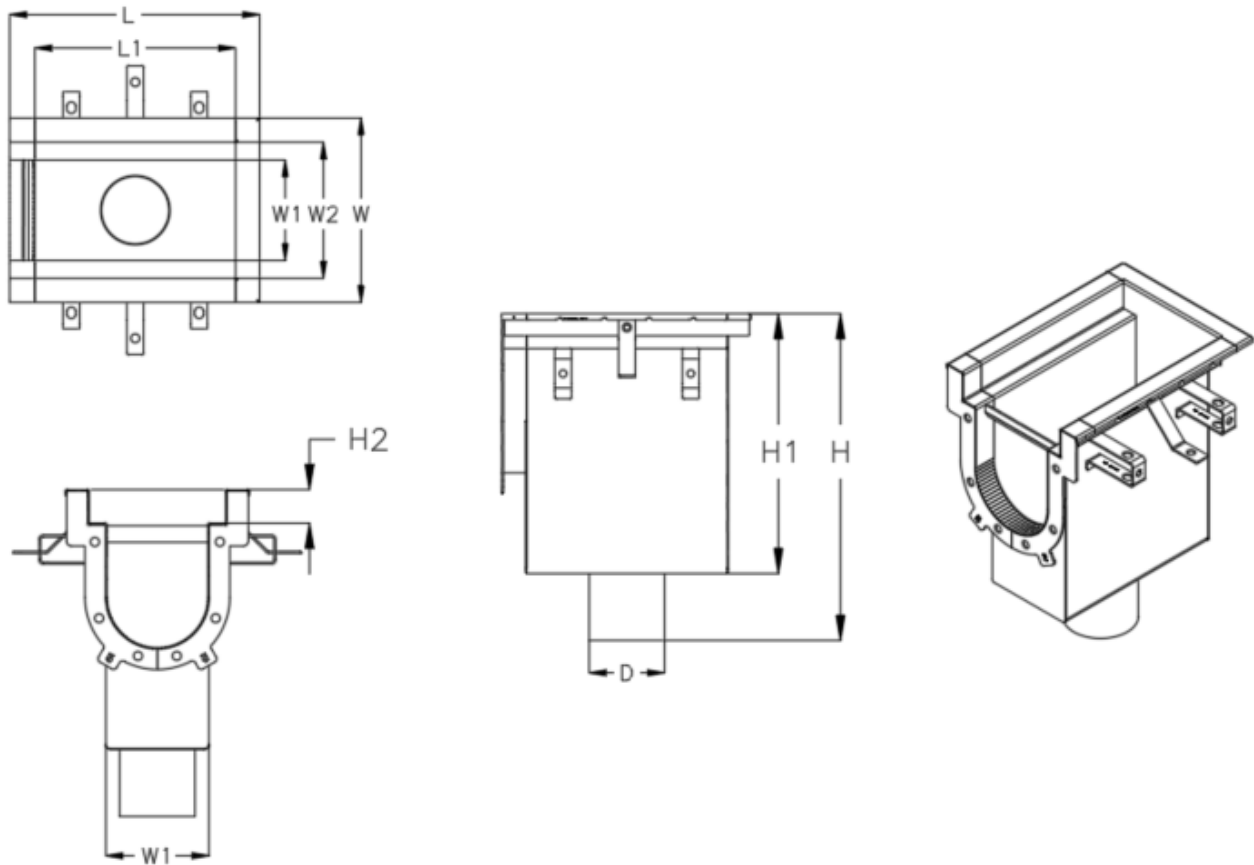
LOAD CLASS:

A15 to E600 Available.

INSTALLATION:

The FoodSafe Trench Catch Basin - Round Bottom shall be installed in accordance with the manufacturer's installation instructions and recommendations. Trench Catch Basins are manufactured with leveling bars and flanges to secure the drain within the concrete slab.

TYPICAL MODULAR LAYOUT OF A FOODSAFE TRENCH CATCH BASIN - ROUND BOTTOM SYSTEM



DESCRIPTION	TOP WIDTH	TOP LENGTH	BOTTOM WIDTH	BOTTOM LENGTH	HEIGHT	OUTLET SIZE
	INCHES	INCHES	INCHES	INCHES	INCHES	INCHES
SMALL	W	14 ¹⁵ / ₁₆	W1	12 ¹ / ₈	15 ¹ / ₂	4 or 6
MEDIUM	W	14 ¹⁵ / ₁₆	W1	12 ¹ / ₈	16 ⁷ / ₈	4 or 6
LARGE	W	14 ¹⁵ / ₁₆	W1	12 ¹ / ₈	18 ¹ / ₄	4 or 6

AVAILABLE IN 3 DIFFERENT DESIGN OPTIONS ACCORDING TO THE DRAIN LENGTH.

FLANGE - 5 CATCH BASIN - UP TO 4 DRAIN SECTIONS, FLANGE - 8 CATCH BASIN - UP TO 7 DRAIN SECTIONS, FLANGE - 11 CATCH BASIN - UP TO 10 DRAIN SECTIONS.

CUSTOM SIZES ARE AVAILABLE AS REQUIRED. BAR GRATING IS OUR STANDARD DESIGN, ALSO CUSTOM LIDS / GRATES AVAILABLE AS REQUIRED. SCH40 PIPES ARE STANDARD DESIGN, ALSO SCH10 AVAILABLE AS REQUIRED. OPTIONALLY AVAILABLE END, SIDE OUTLETS.

END OR MIDDLE CATCH BASIN IS OUR STANDARD. ALSO AVAILABLE IN "TEE" OR CROSS CONNECTION CATCH BASIN. AVAILABLE IN MAGLOCK / NON MAGLOCK DESIGN OPTIONS.

SPECIFYING ENGINEER IS RESPONSIBLE FOR CONCRETE ENCASEMENT AND REINFORCING BASED UPON APPLICATION AND LOCAL CODES. FOODSAFE DRAINS RESERVES THE RIGHT TO CHANGE THE PRODUCT AND SPECIFICATIONS WITHOUT NOTICE