

**GENERAL:**

The surface drainage system shall be FoodSafe Drains Floor Sink, as manufactured by FoodSafe Drains.

**MATERIALS:**

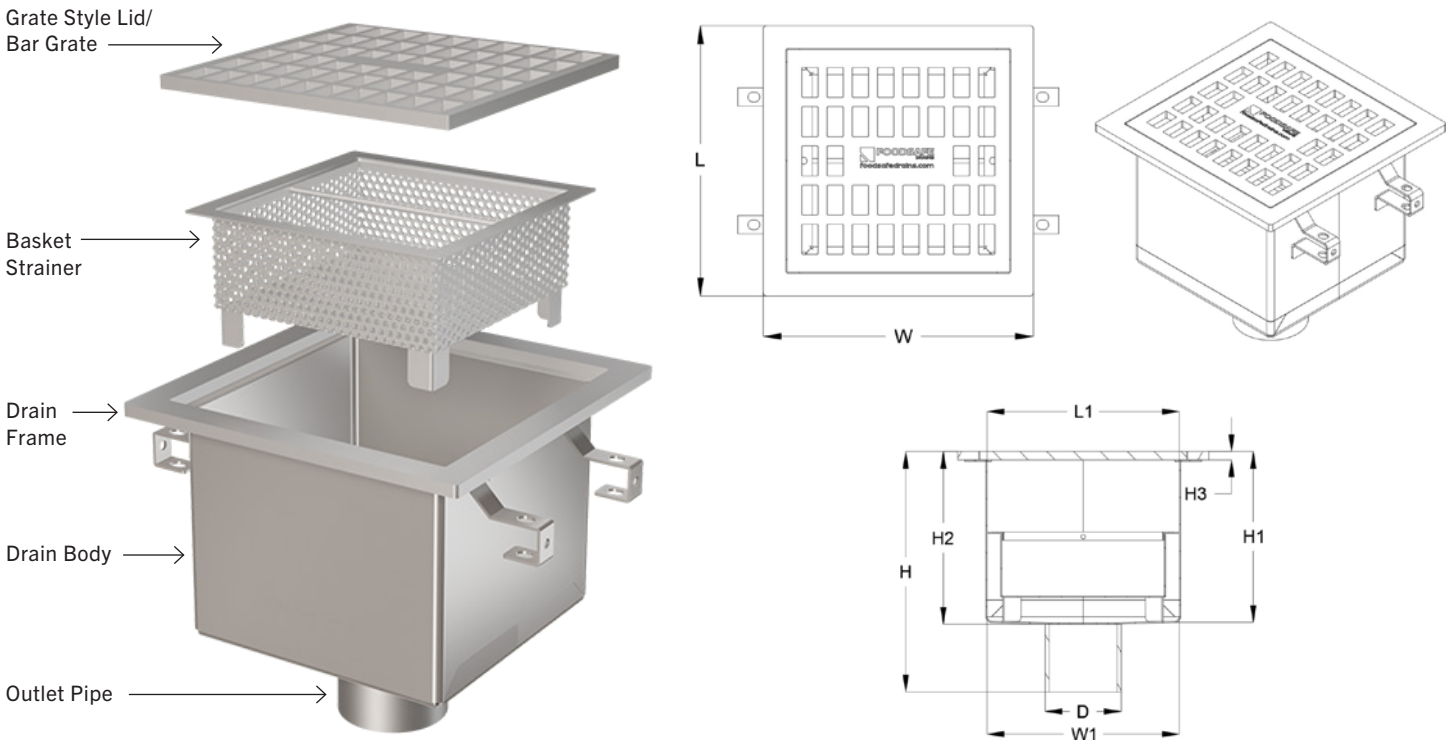
- T304 Stainless Steel
- T316 Stainless Steel

**INSTALLATION:**

The FoodSafe Drains Floor Sink shall be installed in accordance with the manufacturer's installation instructions and recommendations.

**LOAD CLASS: E**

**TYPICAL PROFILE OF A FOODSAFE DRAINS FLOOR SINK SYSTEM**



FLOOR SINKS DESCRIPTION (IN mm)	TOP WIDTH (W)	TOP LENGTH (L)	BOTTOM WIDTH (W1)	BOTTOM LENGTH (L1)	DRAIN HEIGHT (H2)	OVERALL HEIGHT (H)	GRATE THICKNESS (H3)	PIPE DIA (D)
203x203	276	276	187	187	259	360	13	102 or 152
254x254	327	327	238	238	259	360	51	102 or 152
305x305	378	378	289	289	259	360	51	102 or 152

**NOTE:**

Custom sizes are available as required.  
 Grate style lid is our standard design. Also solid (or) custom lids available as required.  
 SCH40 Pipes are standard design. Also SCH10 available as required.  
 Floor sinks are designed with sloped bottom.

Specifying engineer is responsible for concrete encasement and reinforcing based upon application and local codes. FoodSafe Drains reserves the right to change the product and specifications without notice.