

GENERAL:

The surface drainage system shall be FoodSafe Drains Floor Sink, as manufactured by FoodSafe Drains.

MATERIALS:

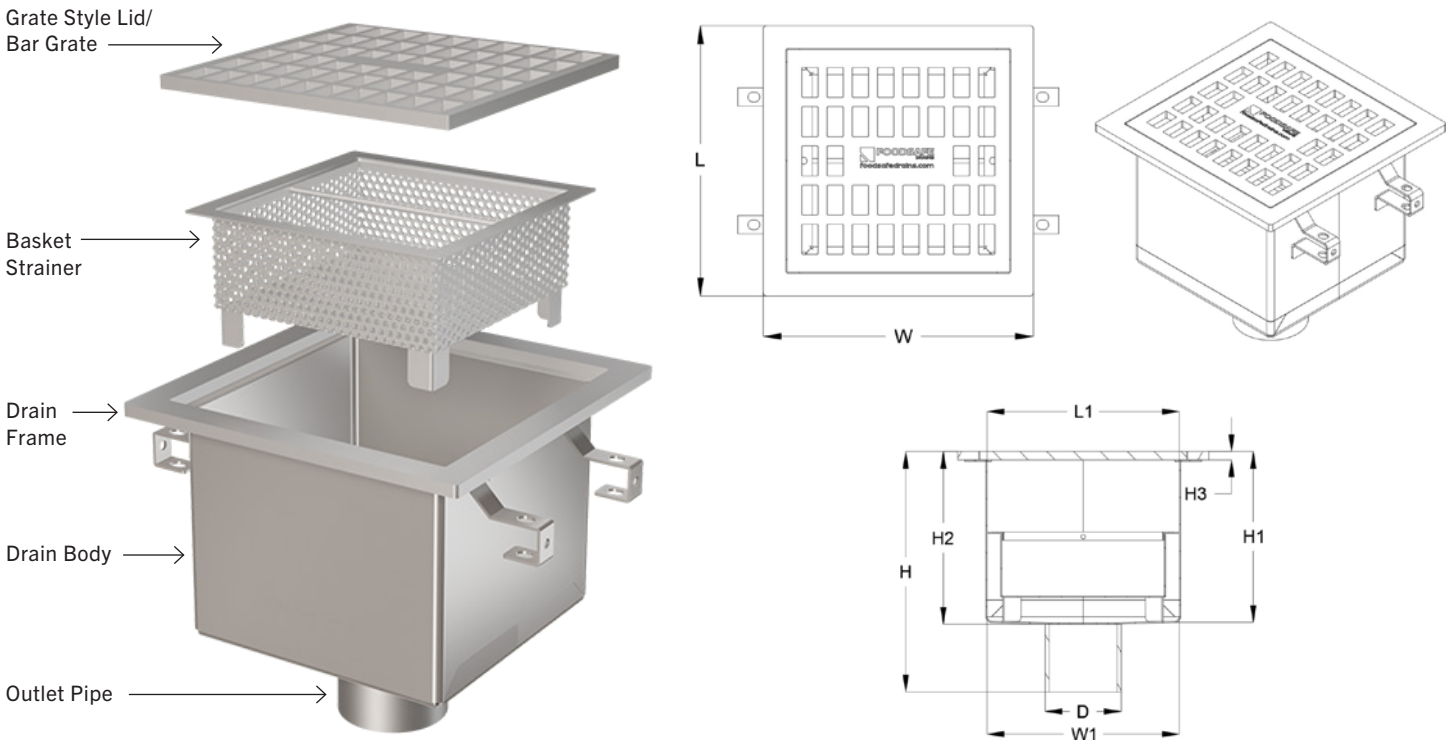
- T304 Stainless Steel
- T316 Stainless Steel

INSTALLATION:

The FoodSafe Drains Floor Sink shall be installed in accordance with the manufacturer's installation instructions and recommendations.

LOAD CLASS: E

TYPICAL PROFILE OF A FOODSAFE DRAINS FLOOR SINK SYSTEM



FLOOR SINKS DESCRIPTION (IN INCHES)	TOP WIDTH (W)	TOP LENGTH (L)	BOTTOM WIDTH (W1)	BOTTOM LENGTH (L1)	DRAIN HEIGHT (H2)	OVERALL HEIGHT (H)	GRATE THICKNESS (H3)	PIPE DIA (D)
8x8	10 7/8	10 7/8	7 3/8	7 3/8	10 3/16	14 3/16	1/2	4 or 6
10x10	12 7/8	12 7/8	9 3/8	9 3/8	10 3/16	14 3/16	2	4 or 6
12x12	14 7/8	14 7/8	11 3/8	11 3/8	10 3/16	14 3/16	2	4 or 6

NOTE:

Custom sizes are available as required.
 Grate style lid is our standard design. Also solid (or) custom lids available as required.
 SCH40 Pipes are standard design. Also SCH10 available as required.
 Floor sinks are designed with sloped bottom.

Specifying engineer is responsible for concrete encasement and reinforcing based upon application and local codes. FoodSafe Drains reserves the right to change the product and specifications without notice.