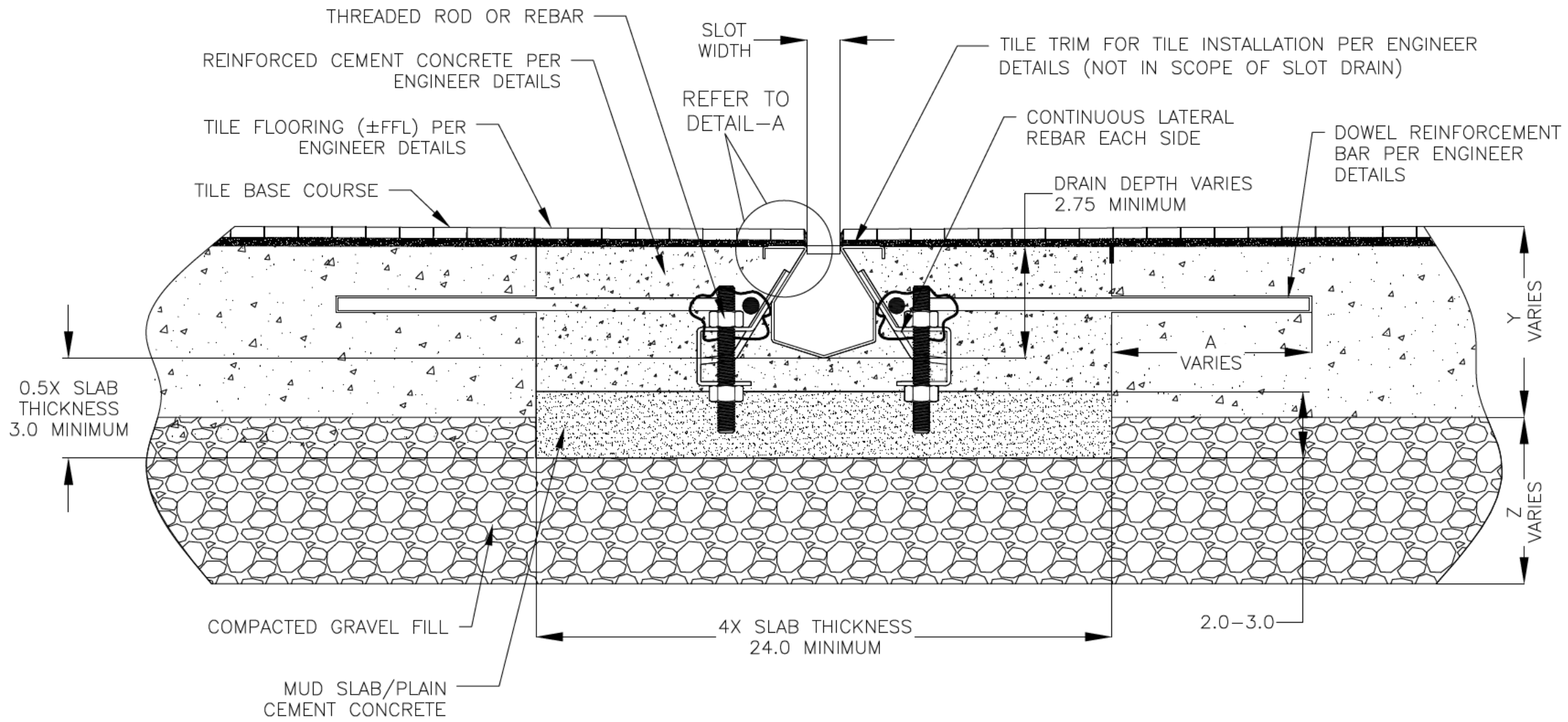


NOTES: UNLESS OTHERWISE SPECIFIED

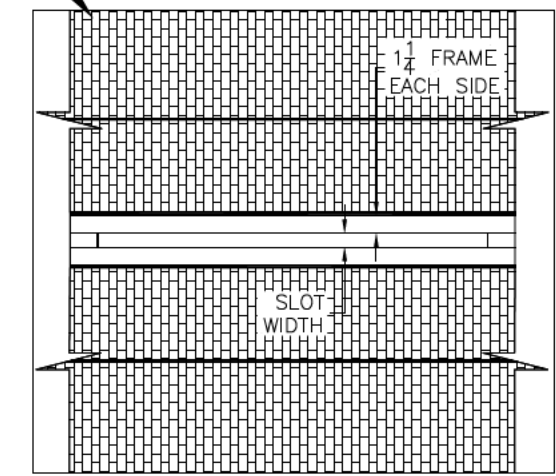
REVISIONS			
REV	DESCRIPTION	DATE	BY
0	INITIAL RELEASE - R0	11/15/2019	DK
1	UPDATED THE DRAIN LAYOUT	12/2/2020	DK
2	UPDATED THE REBAR DETAILS	7/14/2021	DK
3	UPDATED WITH GLOBAL DRAIN TEMPLATE	3/19/2024	DK

1. ALL DIMENSIONS ARE IN INCHES.
2. DRAIN BODY MATERIAL: 16GA STAINLESS STEEL T304/T316
3. SPECIFYING ENGINEER IS RESPONSIBLE FOR CONCRETE ENCASEMENT AND REINFORCING BASED UPON APPLICATION AND LOCAL CODES.
4. REFER TO <https://info.slotdrainsystems.com/installresources> FOR INSTALLATION INSTRUCTIONS.

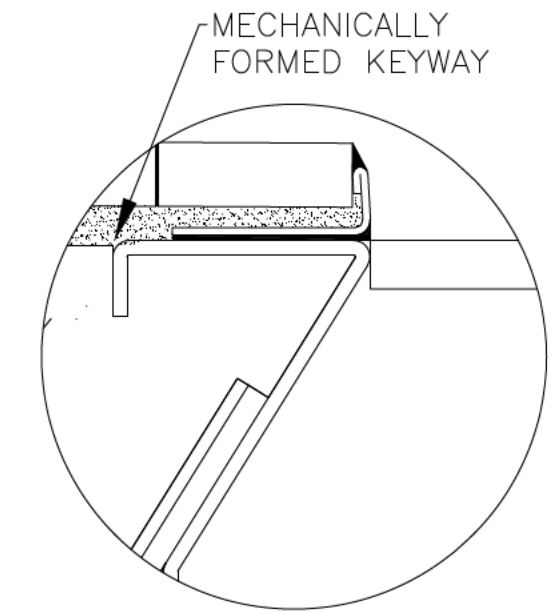
TILE FLOORING ( $\pm$ FFL) PER ENGINEER DETAILS



6000 SERIES SLOT DRAIN INSTALLATION DETAILS



PLAN VIEW



DETAIL-A



DRAWING TITLE  
TILE FLOOR-RETROFIT INSTALLATION

DRAIN SERIES  
6000 SERIES SLOT DRAIN

DWG NO. IN-SD6000-101-R3      SIZE B      SCALE NTS      SHEET 1 OF 1

ALL DRAWINGS ARE THE EXCLUSIVE PROPERTY OF SLOT DRAIN SYSTEMS. ANY REPRODUCTION IN PART OR IN WHOLE IS PROHIBITED WITHOUT PROPER CONSENT.

REV. 3