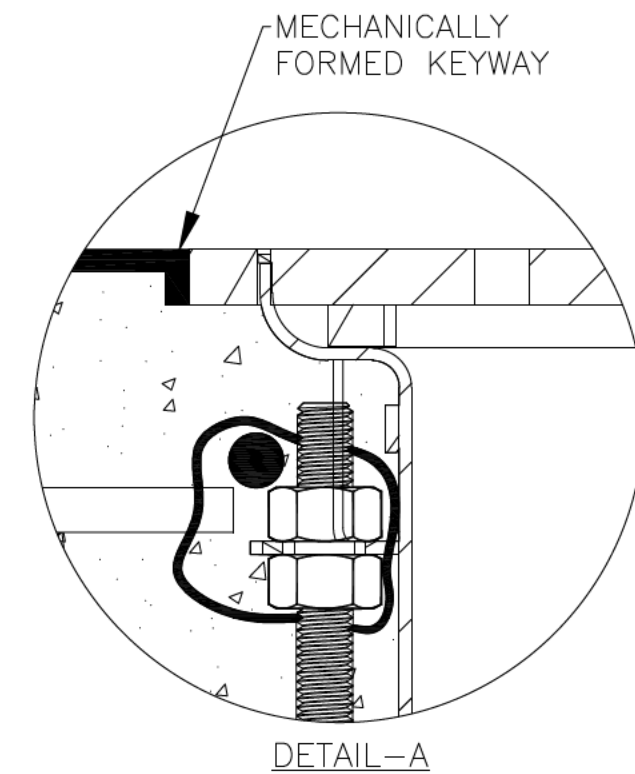
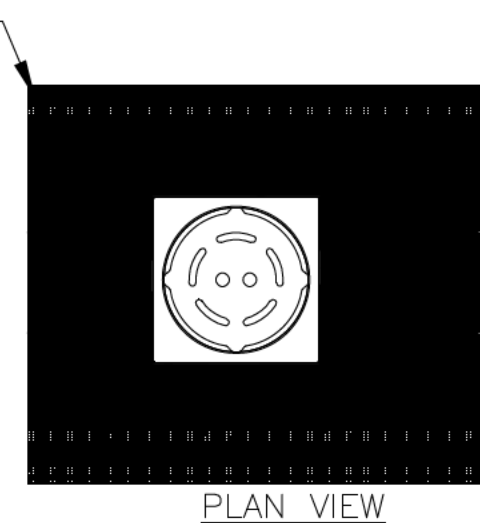
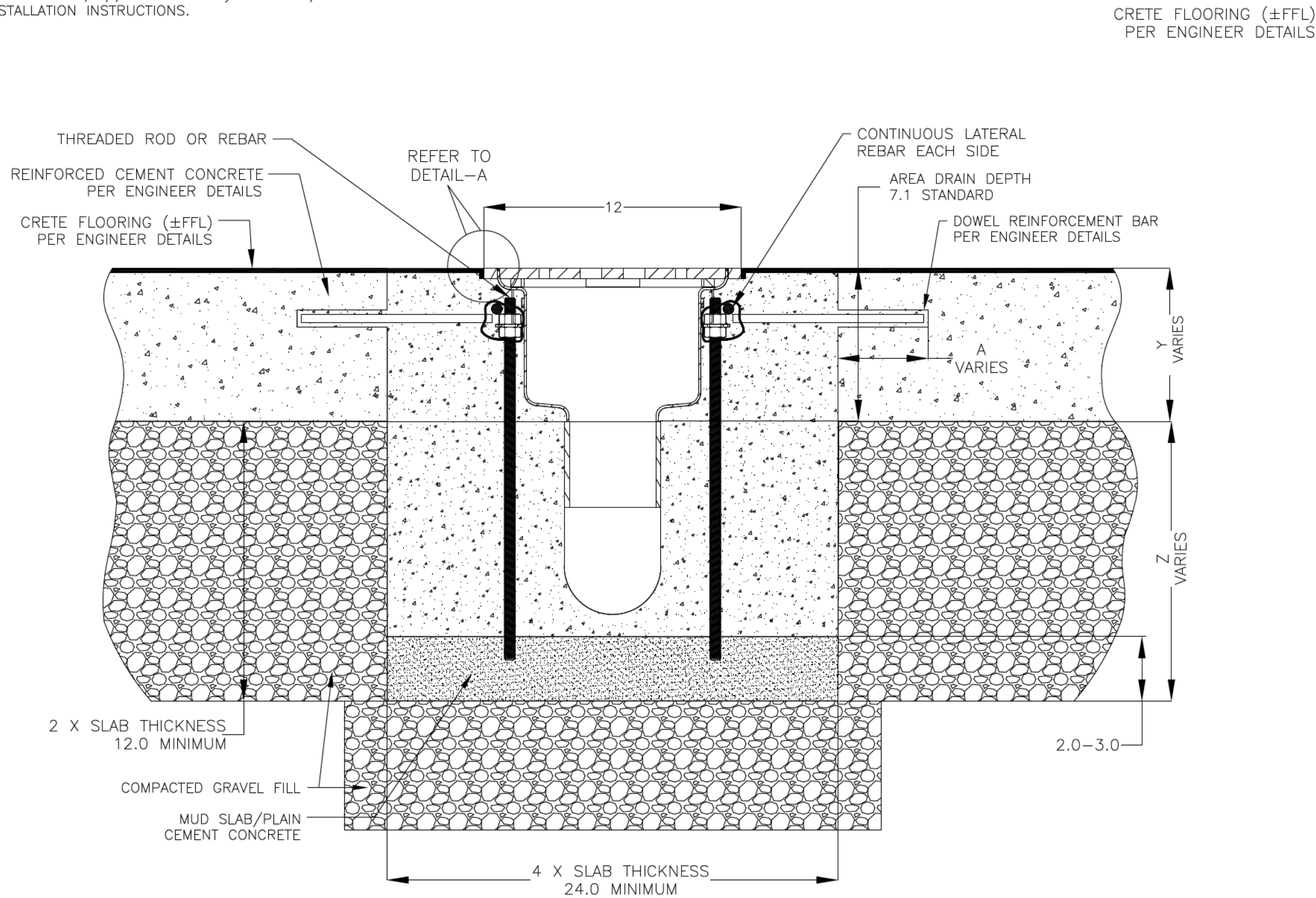


NOTES: UNLESS OTHERWISE SPECIFIED

1. ALL DIMENSIONS ARE IN INCHES.
2. AREA DRAIN BODY MATERIAL: 12GA STAINLESS STEEL T316
3. SPECIFYING ENGINEER IS RESPONSIBLE FOR CONCRETE ENCASEMENT AND REINFORCING BASED UPON APPLICATION AND LOCAL CODES.
4. REFER TO <https://info.slotdrainsystems.com/installresources> FOR INSTALLATION INSTRUCTIONS.

REVISIONS			
REV	DESCRIPTION	DATE	BY
0	INITIAL RELEASE - RO	4/15/2020	DK
1	UPDATED DRAWING LAYOUT & REBAR DETAILS	7/14/2021	DK



FOOD SAFE SQUARE TOP ROUND AREA DRAIN INSTALLATION DETAILS

SLOT DRAIN
SYSTEMS

855.497.7508
info@slotdrainsystems.com
www.slotdrainsystems.com

DRAWING TITLE CRETE FLOOR-RETROFIT INSTALLATION				
DRAIN SERIES FOOD SAFE SQUARE TOP AREA DRAIN				REV. 1
DWG NO. IN-FSADS-100-R1	SIZE B	SCALE NTS	SHEET 1 OF 1	

ALL DRAWINGS ARE THE EXCLUSIVE PROPERTY OF SLOT DRAIN SYSTEMS. ANY REPRODUCTION IN PART OR IN WHOLE IS PROHIBITED WITHOUT PROPER CONSENT.