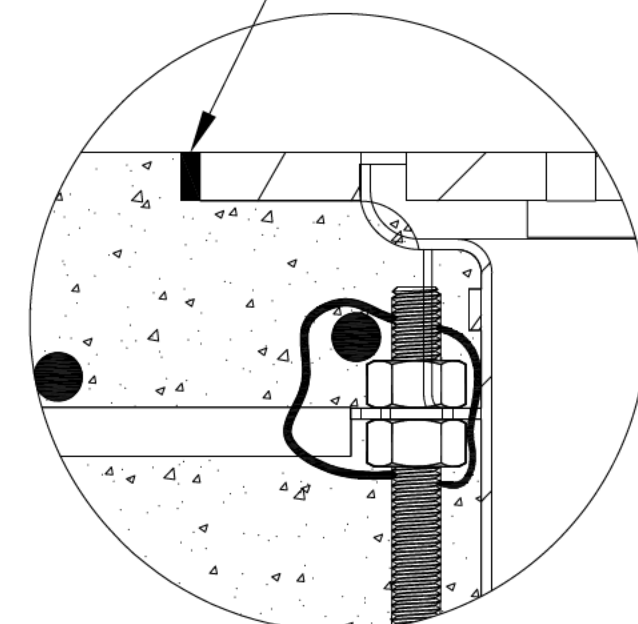
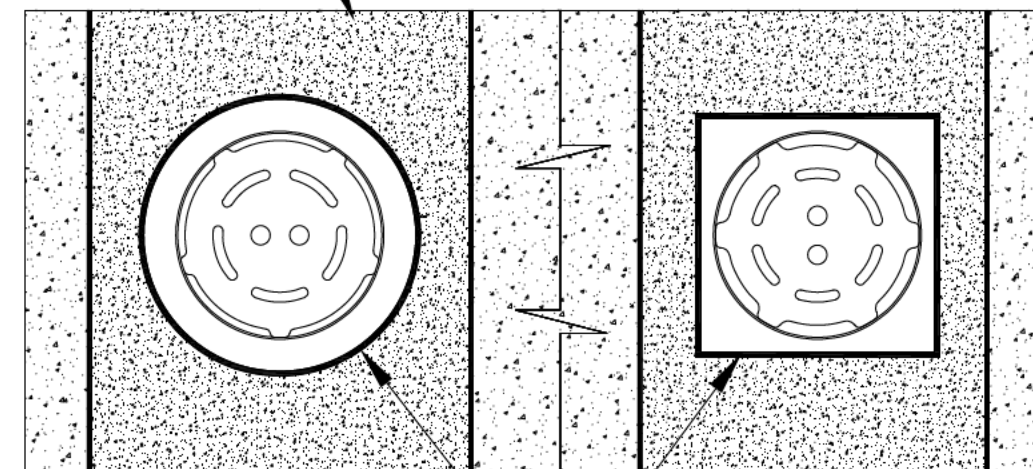
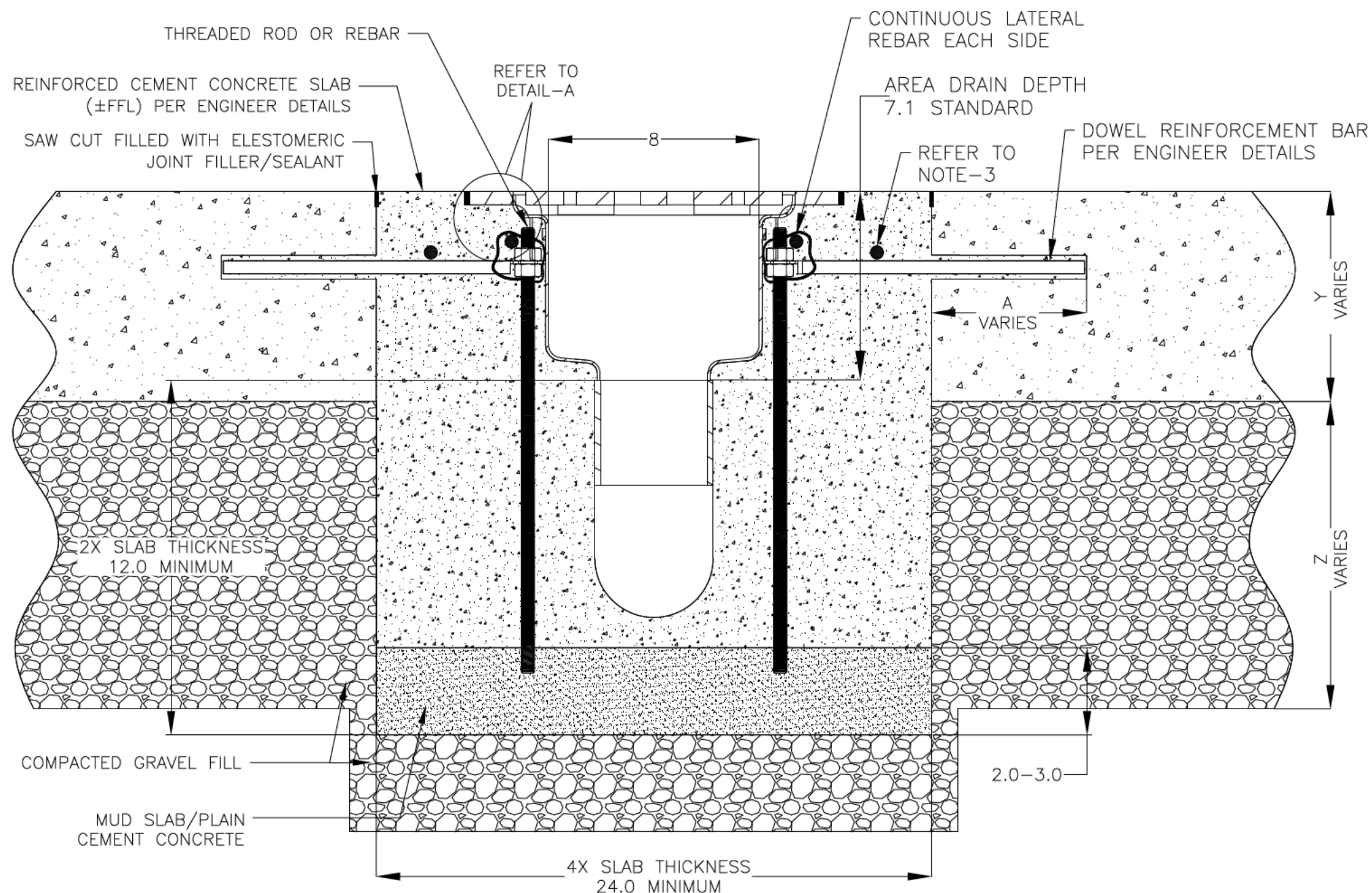


NOTES: UNLESS OTHERWISE SPECIFIED

REVISIONS			
REV	DESCRIPTION	DATE	BY
0	INITIAL RELEASE - RO	4/15/2020	DK
1	UPDATED DRAWING LAYOUT & REBAR DETAILS	7/14/2021	DK
2	UPDATED WITH GLOBAL DRAIN TEMPLATE	8/21/2024	DK

1. ALL DIMENSIONS ARE IN INCHES.
2. AREA DRAIN BODY MATERIAL: 12GA STAINLESS STEEL T316
3. SPECIFYING ENGINEER IS RESPONSIBLE FOR CONCRETE ENCASEMENT AND REINFORCING BASED UPON APPLICATION AND LOCAL CODES.
4. REFER TO <https://info.slotdrainsystems.com/installresources> FOR INSTALLATION INSTRUCTIONS.

REINFORCED CEMENT CONCRETE FLOORING
(±FFL) PER ENGINEER DETAILS



FOOD SAFE ROUND AREA DRAIN INSTALLATION DETAILS



DRAWING TITLE
CONCRETE FLOOR-RETROFIT INSTALLATION

DRAIN SERIES
FOOD SAFE ROUND AREA DRAIN

DWG NO. IN-FSAD-0100-R2 SIZE B SCALE NTS SHEET 1 OF 1

ALL DRAWINGS ARE THE EXCLUSIVE PROPERTY OF SLOT DRAIN SYSTEMS. ANY REPRODUCTION IN PART OR IN WHOLE IS PROHIBITED WITHOUT PROPER CONSENT.

REV. 2