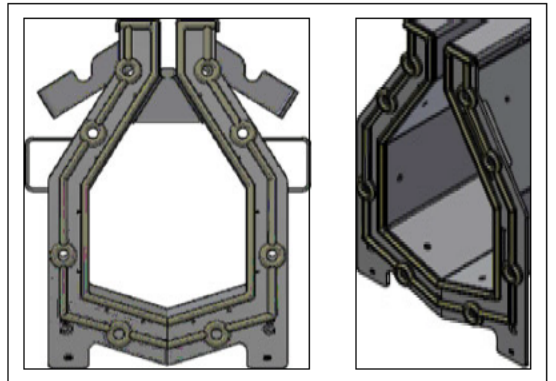


REVISIONS			
REV	DESCRIPTION	DATE	BY
0	INITIAL RELEASE - R0	1/11/2024	DK
1	UPDATED WITH GLOBAL DRAIN TEMPLATE	3/19/2024	DK
2	UPDATED WITH THE DETAILS ABOUT SILICONE APPLICATION	3/7/2025	DK

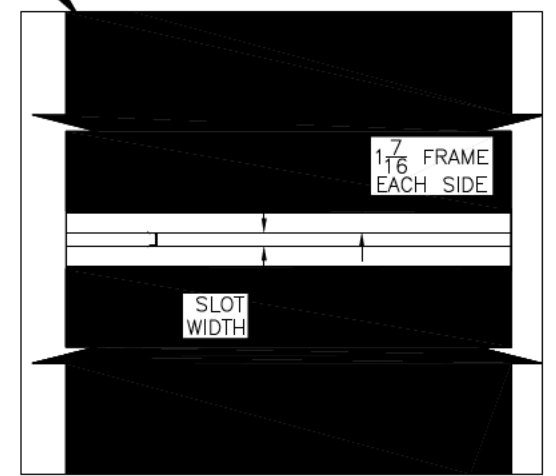
NOTES: UNLESS OTHERWISE SPECIFIED

1. ALL DIMENSIONS ARE IN INCHES.
2. DRAIN BODY MATERIAL: 14GA GALVANIZED/STAINLESS STEEL T304/T316
3. APPLY TWO LAYER OF SILICONE BEAD NEXT TO EACH OTHER AS SHOWN IN THE DETAIL-B.
4. SPECIFYING ENGINEER IS RESPONSIBLE FOR CONCRETE ENCASEMENT AND REINFORCING BASED UPON APPLICATION AND LOCAL CODES.
5. REFER TO <https://info.slotdrainsystems.com/installresources> FOR INSTALLATION INSTRUCTIONS.

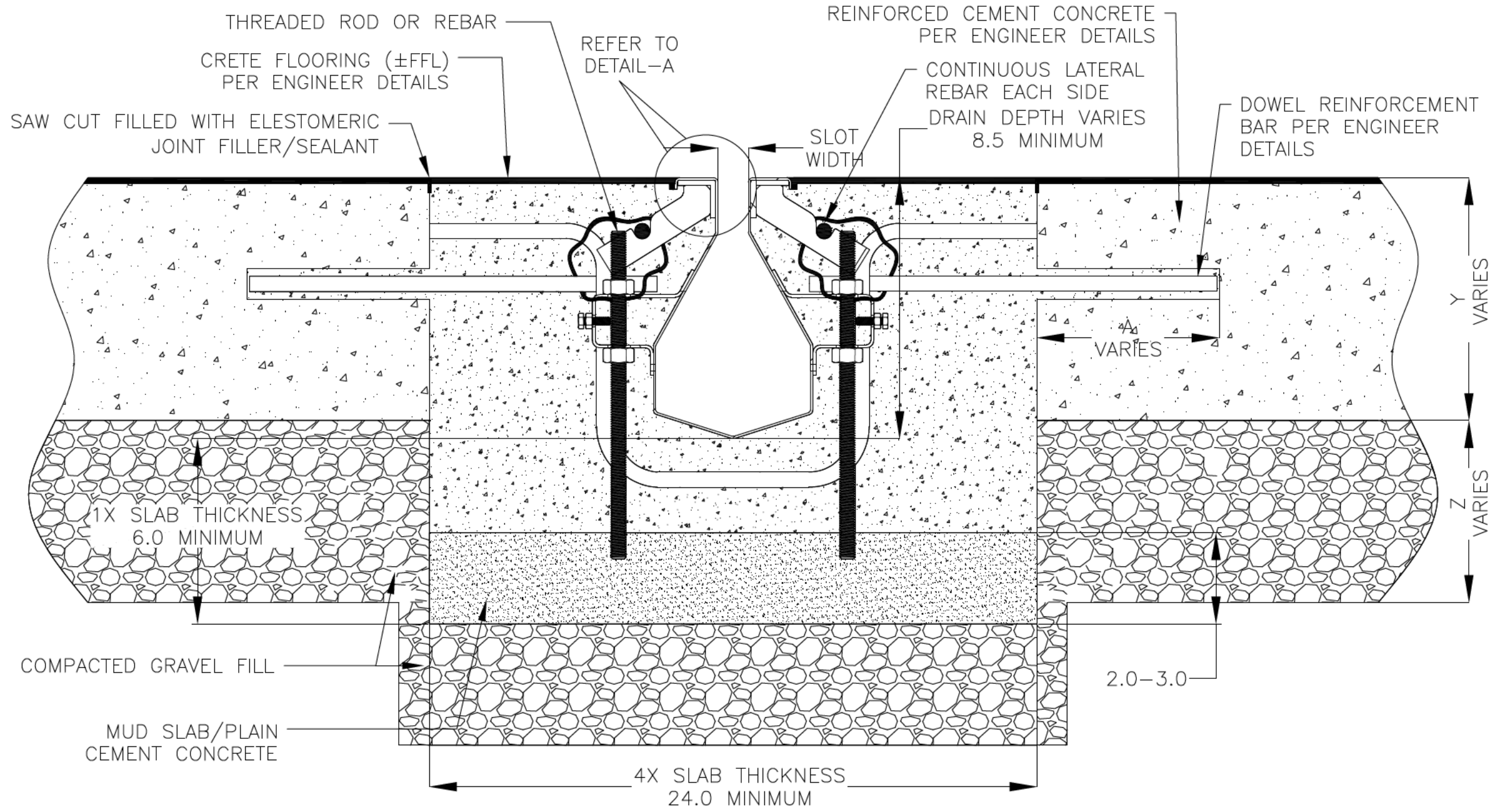


DETAIL-B
(REFER TO NOTE-3)

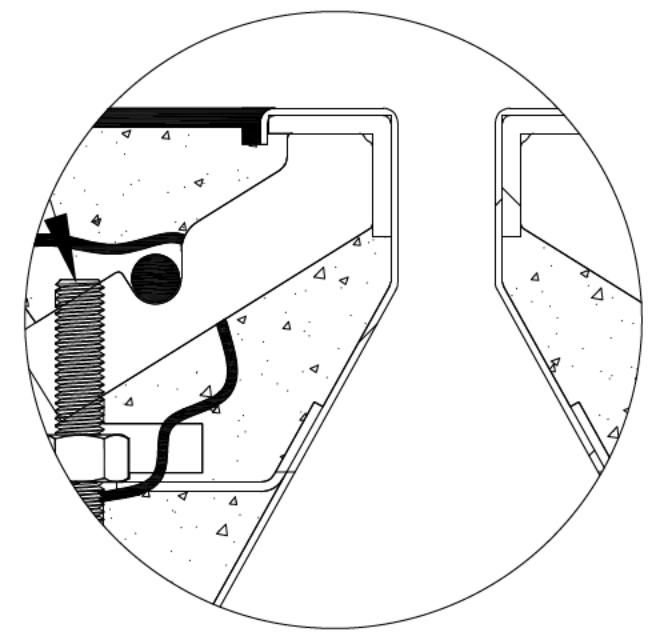
CRETE FLOORING (±FFL)
PER ENGINEER DETAILS



PLAN VIEW



8000 SERIES SLOT DRAIN INSTALLATION DETAILS



DETAIL-A



DRAWING TITLE
CRETE FLOOR-RETROFIT INSTALLATION

DRAIN SERIES
8000 SERIES SLOT DRAIN

DWG NO. IN-SD8000-100-R2 SIZE B SCALE NTS SHEET 1 OF 1

ALL DRAWINGS ARE THE EXCLUSIVE PROPERTY OF SLOT DRAIN SYSTEMS. ANY REPRODUCTION IN PART OR IN WHOLE IS PROHIBITED WITHOUT PROPER CONSENT.