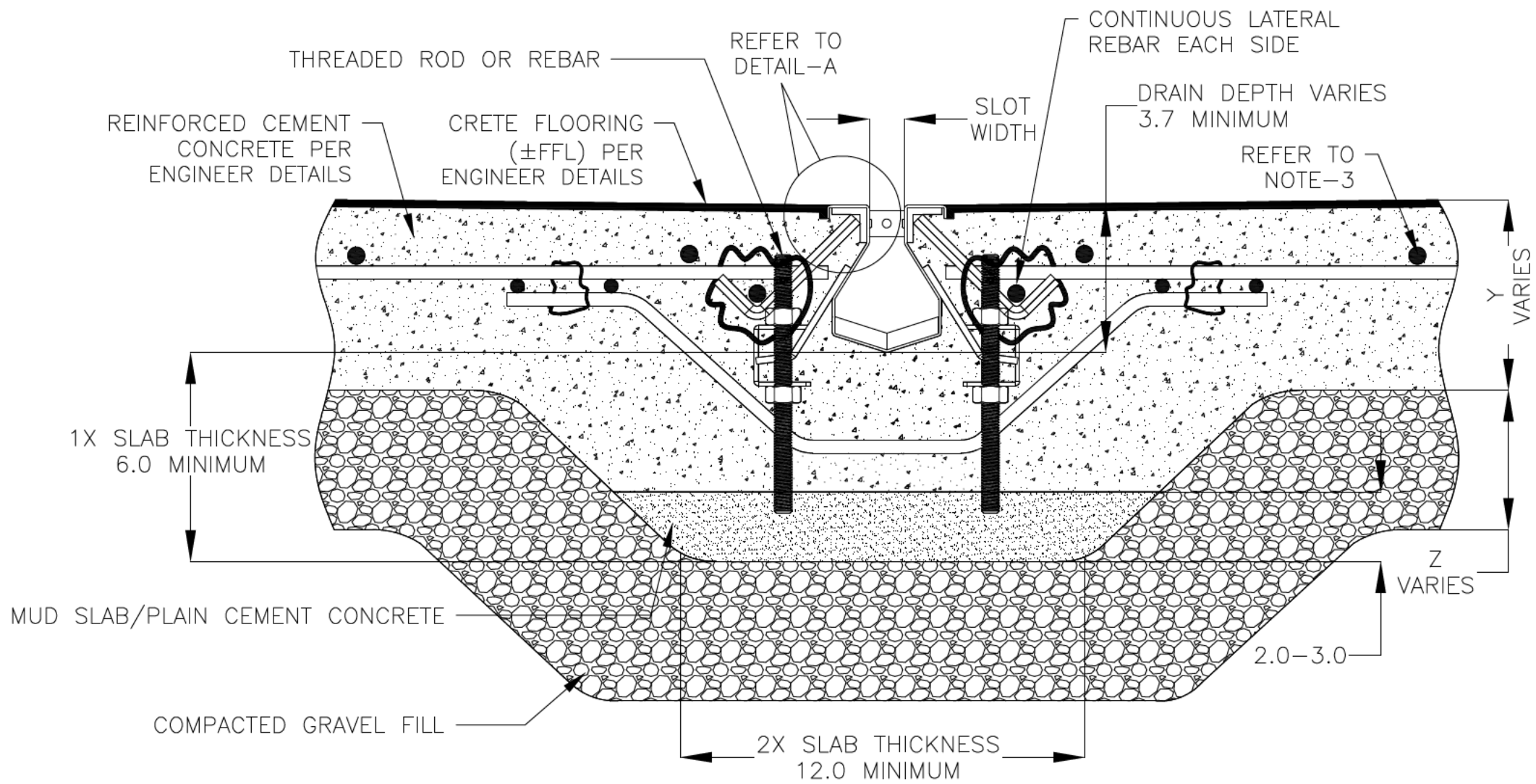


NOTES: UNLESS OTHERWISE SPECIFIED

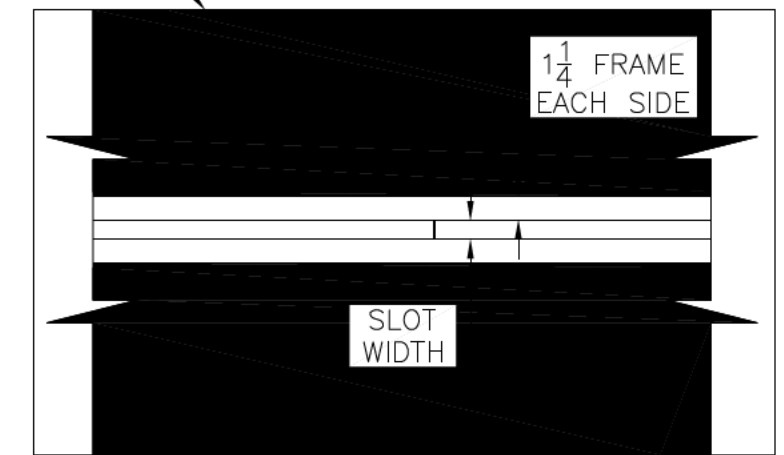
1. ALL DIMENSIONS ARE IN INCHES.
2. DRAIN BODY MATERIAL: 14GA STAINLESS STEEL T304/T316
3. SPECIFYING ENGINEER IS RESPONSIBLE FOR CONCRETE ENCASEMENT AND REINFORCING BASED UPON APPLICATION AND LOCAL CODES.
4. REFER TO <https://info.slotdrainsystems.com/installresources> FOR INSTALLATION INSTRUCTIONS.

REVISIONS			
REV	DESCRIPTION	DATE	BY
0	INITIAL RELEASE - R0	11/15/2019	DK
1	UPDATED THE REBAR DETAILS	7/14/2021	DK
2	UPDATED WITH GLOBAL DRAIN TEMPLATE	3/19/2024	DK

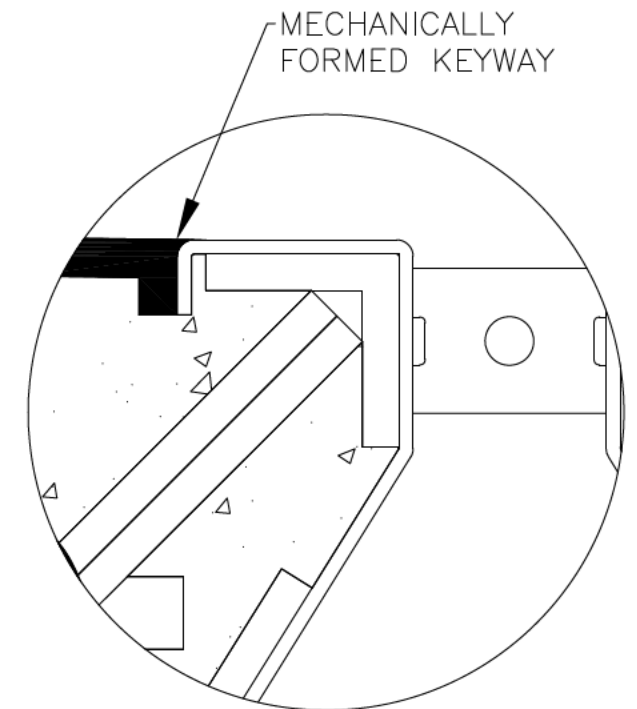
CRETE FLOORING (\pm FFL)
PER ENGINEER DETAILS



6000PR SERIES SLOT DRAIN INSTALLATION DETAILS



PLAN VIEW



DETAIL-A

GLOBAL DRAIN
TECHNOLOGIES

DRAWING TITLE			
CRETE FLOOR-NEW CONSTRUCTION INSTALLATION			
DRAIN SERIES			REV.
6000PR SERIES SLOT DRAIN			2
DWG NO.	SIZE	SCALE	SHEET
IN-SD6000PR-001-R2	B	NTS	1 OF 1

ALL DRAWINGS ARE THE EXCLUSIVE PROPERTY OF SLOT DRAIN SYSTEMS. ANY REPRODUCTION IN PART OR IN WHOLE IS PROHIBITED WITHOUT PROPER CONSENT.