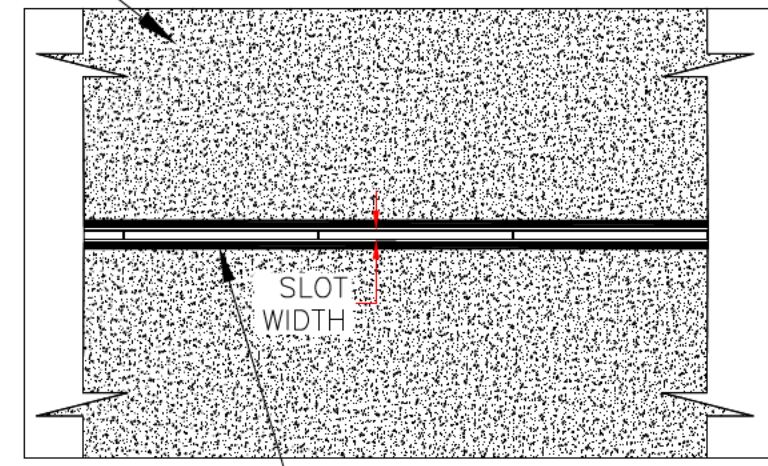
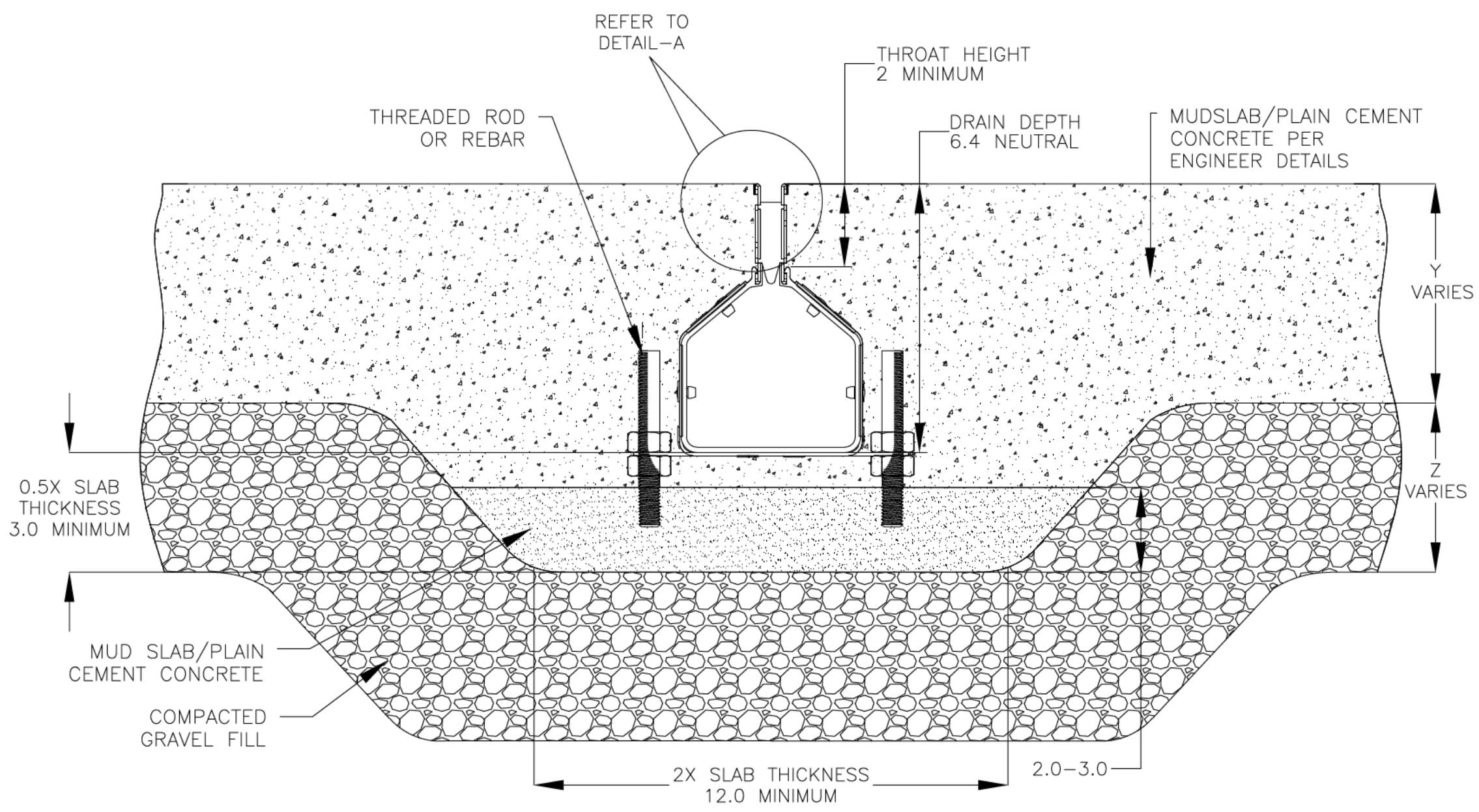


REVISIONS			
REV	DESCRIPTION	DATE	BY
0	INITIAL RELEASE - RO	12/8/2019	DK
1	UPDATED THE DRAIN LAYOUT	7/14/2021	DK
2	UPDATED WITH GLOBAL DRAIN TEMPLATE	2/14/2024	DK

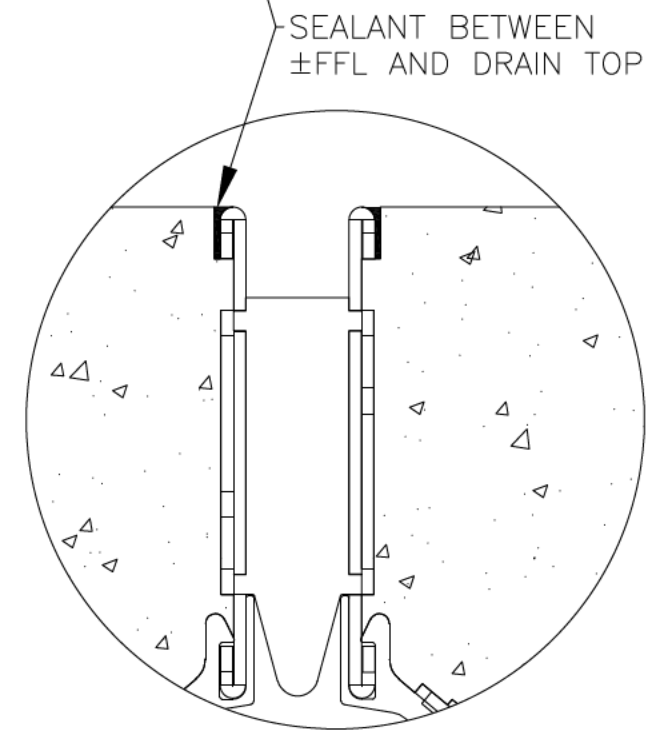
NOTES: UNLESS OTHERWISE SPECIFIED

1. ALL DIMENSIONS ARE IN INCHES.
2. DRAIN THROAT MATERIAL: STAINLESS STEEL T304/T316
3. DRAIN BODY MATERIAL: HIGH END PLASTIC
4. SPECIFYING ENGINEER IS RESPONSIBLE FOR CONCRETE ENCASEMENT AND REINFORCING BASED UPON APPLICATION AND LOCAL CODES.
5. REFER TO <https://info.slotdrainsystems.com/installresources> FOR INSTALLATION INSTRUCTIONS.

PLAIN CEMENT CONCRETE FLOORING (±FFL) PER ENGINEER DETAILS



PLAN VIEW



DETAIL-A

3000 SERIES SLOT DRAIN INSTALLATION DETAILS



DRAWING TITLE
CONCRETE FLOOR-NEW CONSTRUCTION INSTALLATION

DRAIN SERIES
3000 SERIES SLOT DRAIN

DWG NO. IN-SD3000-002-R2 SIZE B SCALE NTS SHEET 1 OF 1

ALL DRAWINGS ARE THE EXCLUSIVE PROPERTY OF SLOT DRAIN SYSTEMS. ANY REPRODUCTION IN PART OR IN WHOLE IS PROHIBITED WITHOUT PROPER CONSENT.