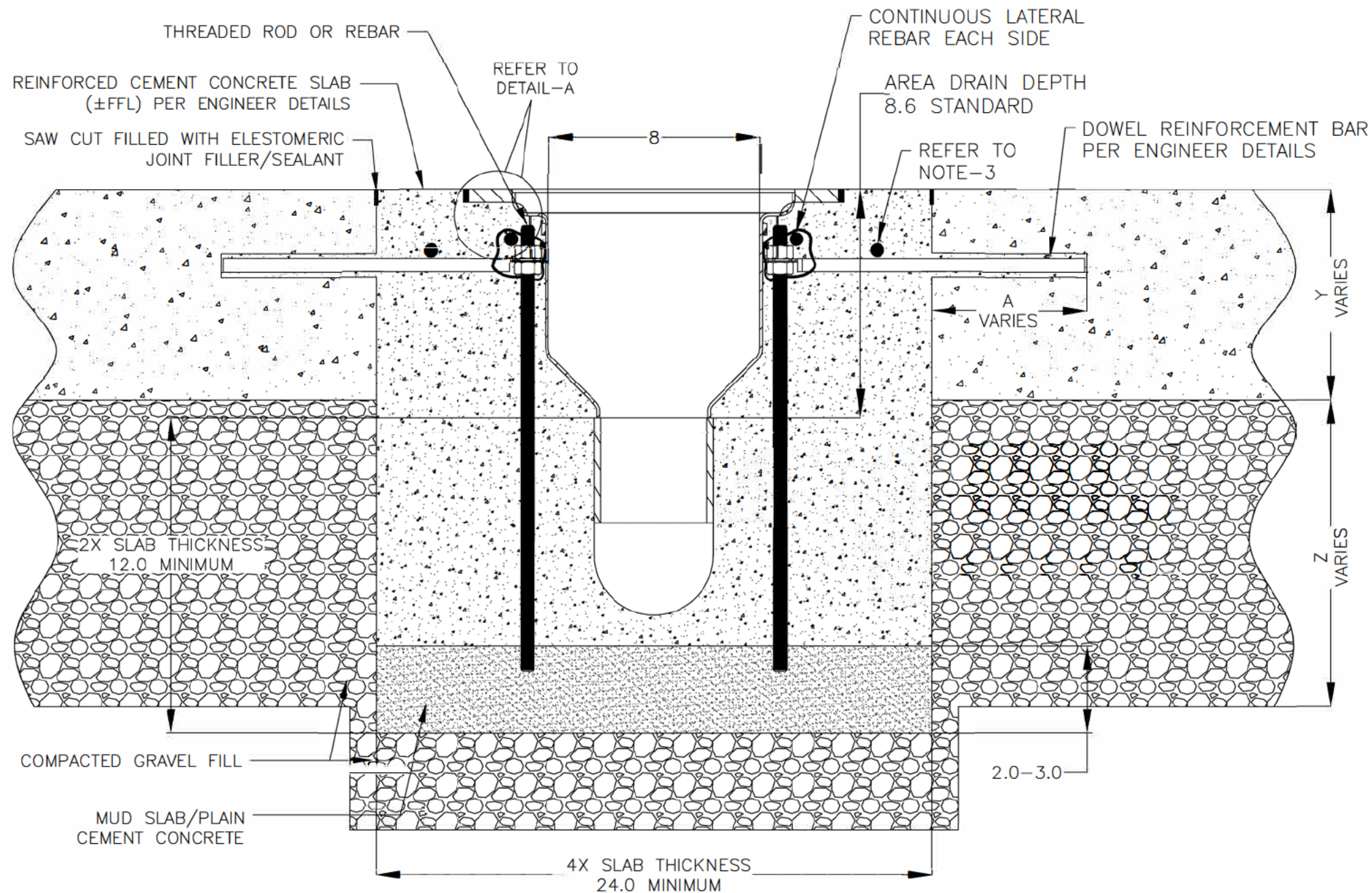


NOTES: UNLESS OTHERWISE SPECIFIED

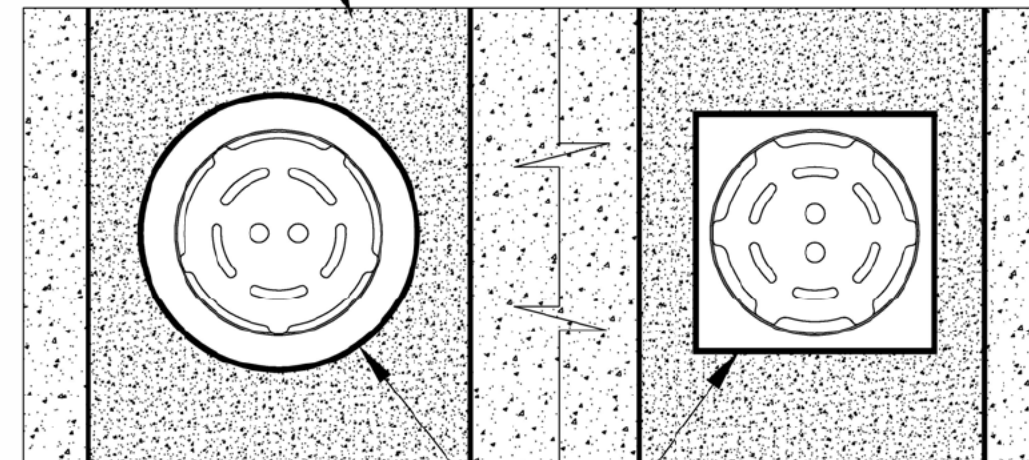
1. ALL DIMENSIONS ARE IN INCHES.
2. AREA DRAIN BODY MATERIAL: 12GA STAINLESS STEEL T316
3. SPECIFYING ENGINEER IS RESPONSIBLE FOR CONCRETE ENCASEMENT AND REINFORCING BASED UPON APPLICATION AND LOCAL CODES.
4. REFER TO <https://info.slotdrainsystems.com/installresources> FOR INSTALLATION INSTRUCTIONS.

REVISIONS			
REV	DESCRIPTION	DATE	BY
0	INITIAL RELEASE - RO	4/1/2025	DK



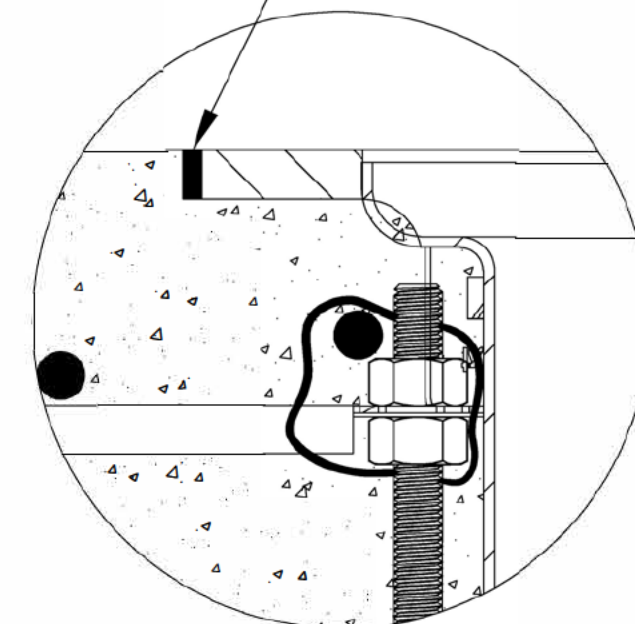
FOOD SAFE CONE AREA DRAIN INSTALLATION DETAILS

REINFORCED CEMENT CONCRETE FLOORING  
(±FFL) PER ENGINEER DETAILS



PLAN VIEW

SEALANT BETWEEN  
±FFL AND DRAIN TOP



DETAIL-A



DRAWING TITLE  
CONCRETE FLOOR-RETROFIT INSTALLATION

DRAIN SERIES  
FOOD SAFE CONE AREA DRAIN

DWG NO. IN-FSADCONE-101-RO SIZE B SCALE NTS SHEET 1 OF 1

ALL DRAWINGS ARE THE EXCLUSIVE PROPERTY OF SLOT DRAIN SYSTEMS. ANY REPRODUCTION IN PART OR IN WHOLE IS PROHIBITED WITHOUT PROPER CONSENT.

REV. 0