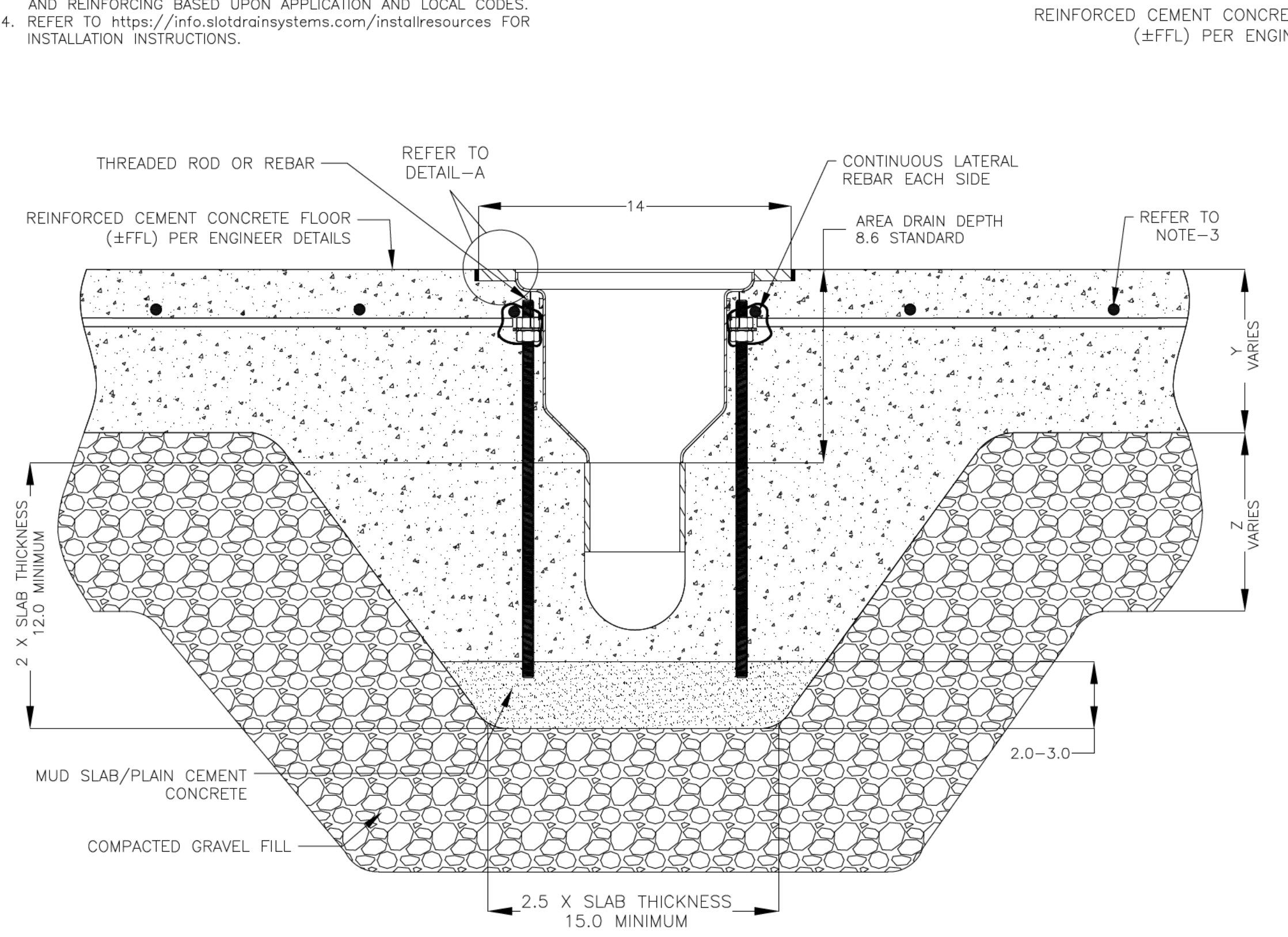


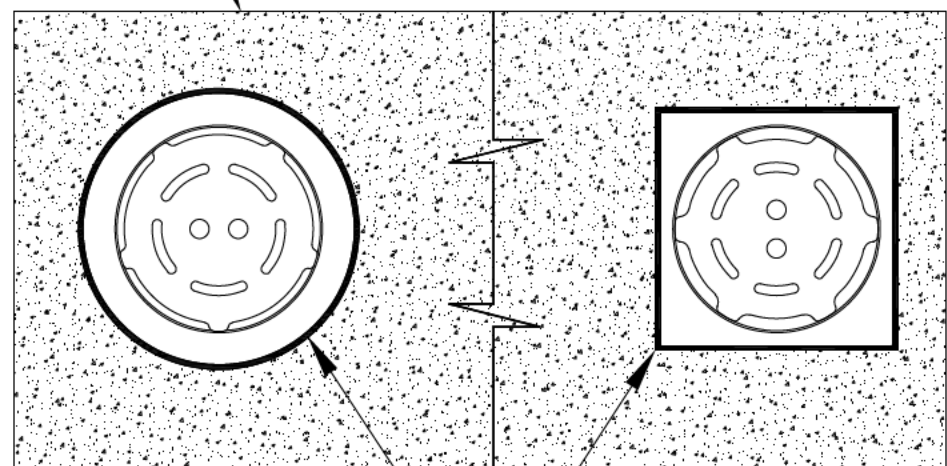
NOTES: UNLESS OTHERWISE SPECIFIED

1. ALL DIMENSIONS ARE IN INCHES.
2. AREA DRAIN BODY MATERIAL: 12GA STAINLESS STEEL T316
3. SPECIFYING ENGINEER IS RESPONSIBLE FOR CONCRETE ENCASEMENT AND REINFORCING BASED UPON APPLICATION AND LOCAL CODES.
4. REFER TO <https://info.slotdrainsystems.com/installresources> FOR INSTALLATION INSTRUCTIONS.

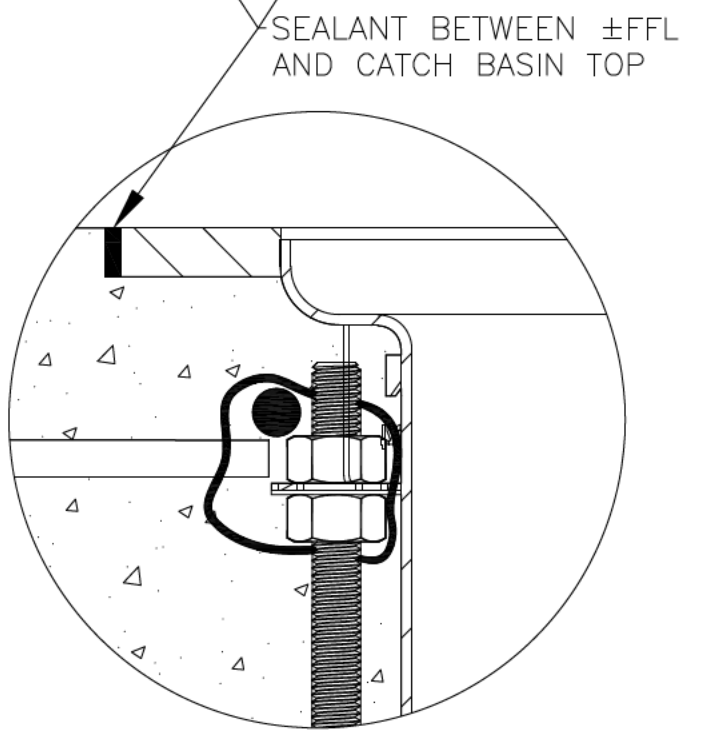
REVISIONS			
REV	DESCRIPTION	DATE	BY
0	INITIAL RELEASE - RO	4/1/2025	DK



REINFORCED CEMENT CONCRETE FLOORING (±FFL) PER ENGINEER DETAILS



PLAN VIEW



DETAIL-A

SEALANT BETWEEN ±FFL AND CATCH BASIN TOP

FOOD SAFE CONE AREA DRAIN INSTALLATION DETAILS



DRAWING TITLE  
CONCRETE FLOOR-NEW CONSTRUCTION INSTALLATION

DRAIN SERIES  
FOOD SAFE CONE AREA DRAIN

DWG NO. IN-FSADCONE-002-RO SIZE B SCALE NTS SHEET 1 OF 1

ALL DRAWINGS ARE THE EXCLUSIVE PROPERTY OF SLOT DRAIN SYSTEMS. ANY REPRODUCTION IN PART OR IN WHOLE IS PROHIBITED WITHOUT PROPER CONSENT.