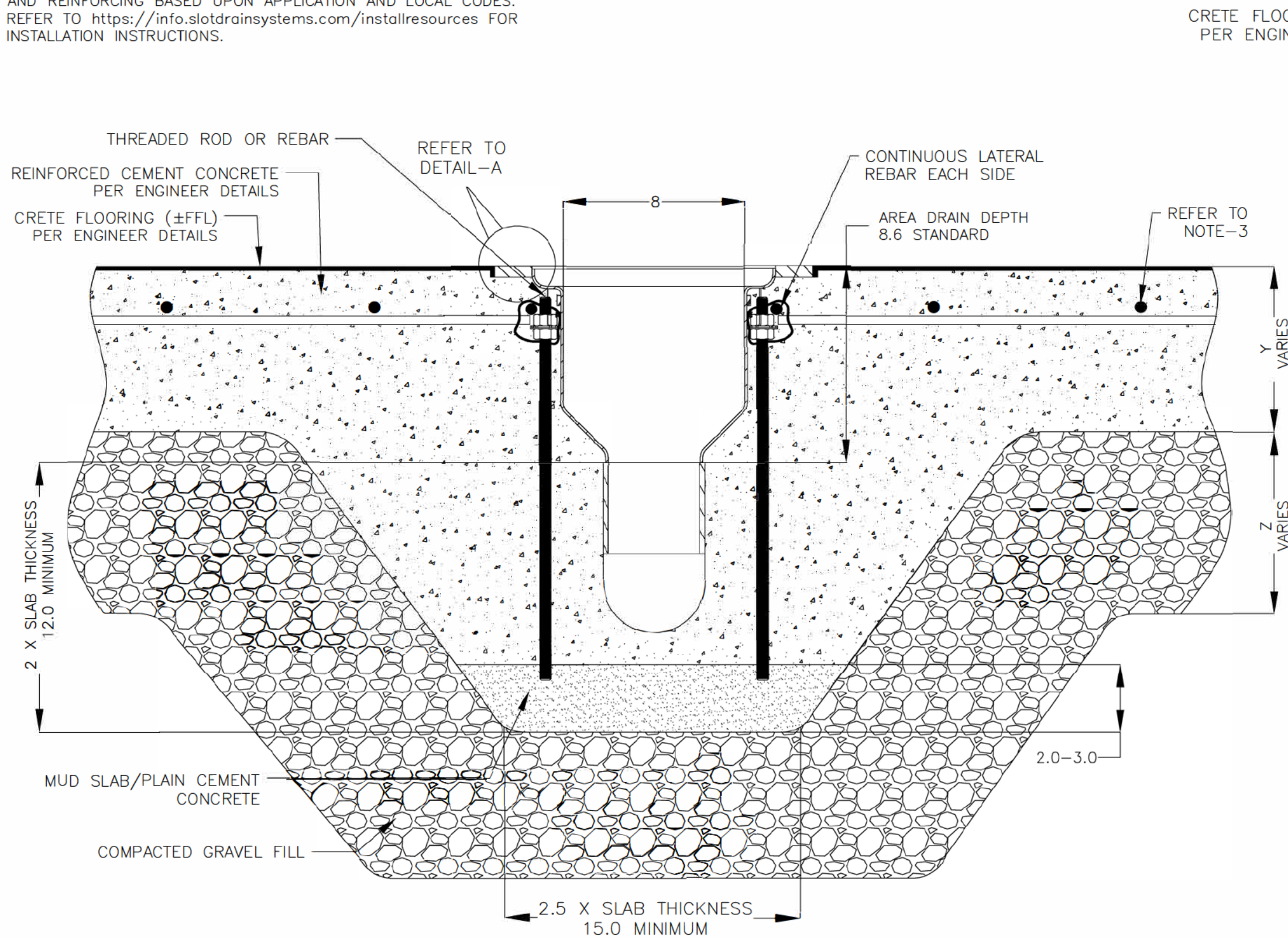


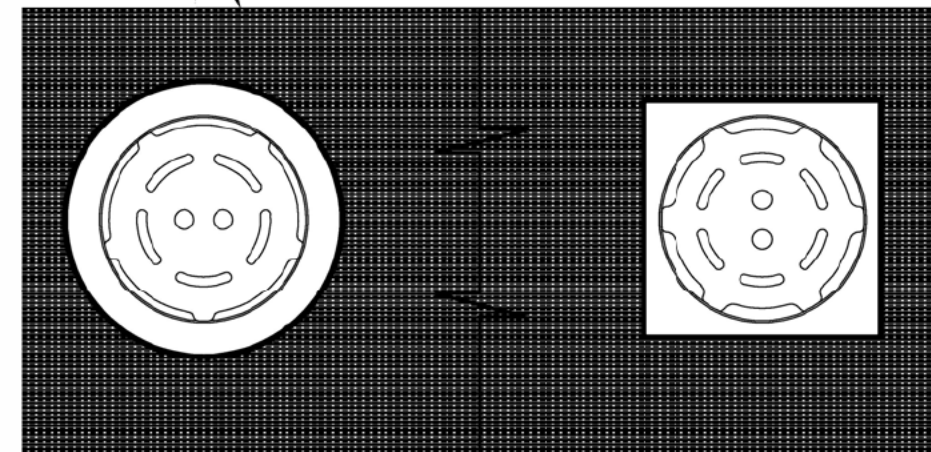
NOTES: UNLESS OTHERWISE SPECIFIED

1. ALL DIMENSIONS ARE IN INCHES.
2. AREA DRAIN BODY MATERIAL: 12GA STAINLESS STEEL T316
3. SPECIFYING ENGINEER IS RESPONSIBLE FOR CONCRETE ENCASEMENT AND REINFORCING BASED UPON APPLICATION AND LOCAL CODES.
4. REFER TO <https://info.slotdrainsystems.com/installresources> FOR INSTALLATION INSTRUCTIONS.

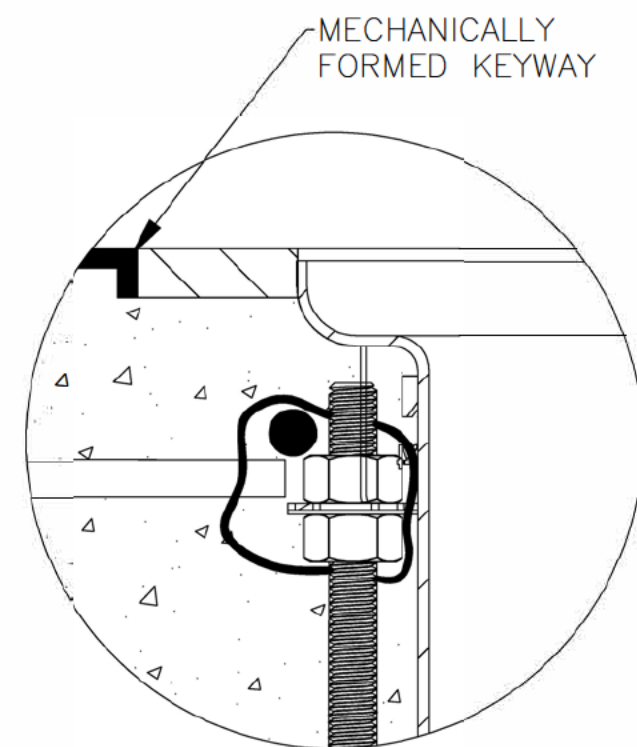
REVISIONS			
REV	DESCRIPTION	DATE	BY
0	INITIAL RELEASE - RO	4/1/2025	DK



CRETE FLOORING (±FFL)
PER ENGINEER DETAILS



PLAN VIEW



DETAIL-A

FOOD SAFE CONE AREA DRAIN INSTALLATION DETAILS



DRAWING TITLE			
CRETE FLOOR-NEW CONSTRUCTION INSTALLATION			
DRAIN SERIES			REV.
FOOD SAFE CONE AREA DRAIN			0
DWG NO.	SIZE	SCALE	SHEET
IN-FSADCONC-001-RO	B	NTS	1 OF 1

ALL DRAWINGS ARE THE EXCLUSIVE PROPERTY OF SLOT DRAIN SYSTEMS. ANY REPRODUCTION IN PART OR IN WHOLE IS PROHIBITED WITHOUT PROPER CONSENT.