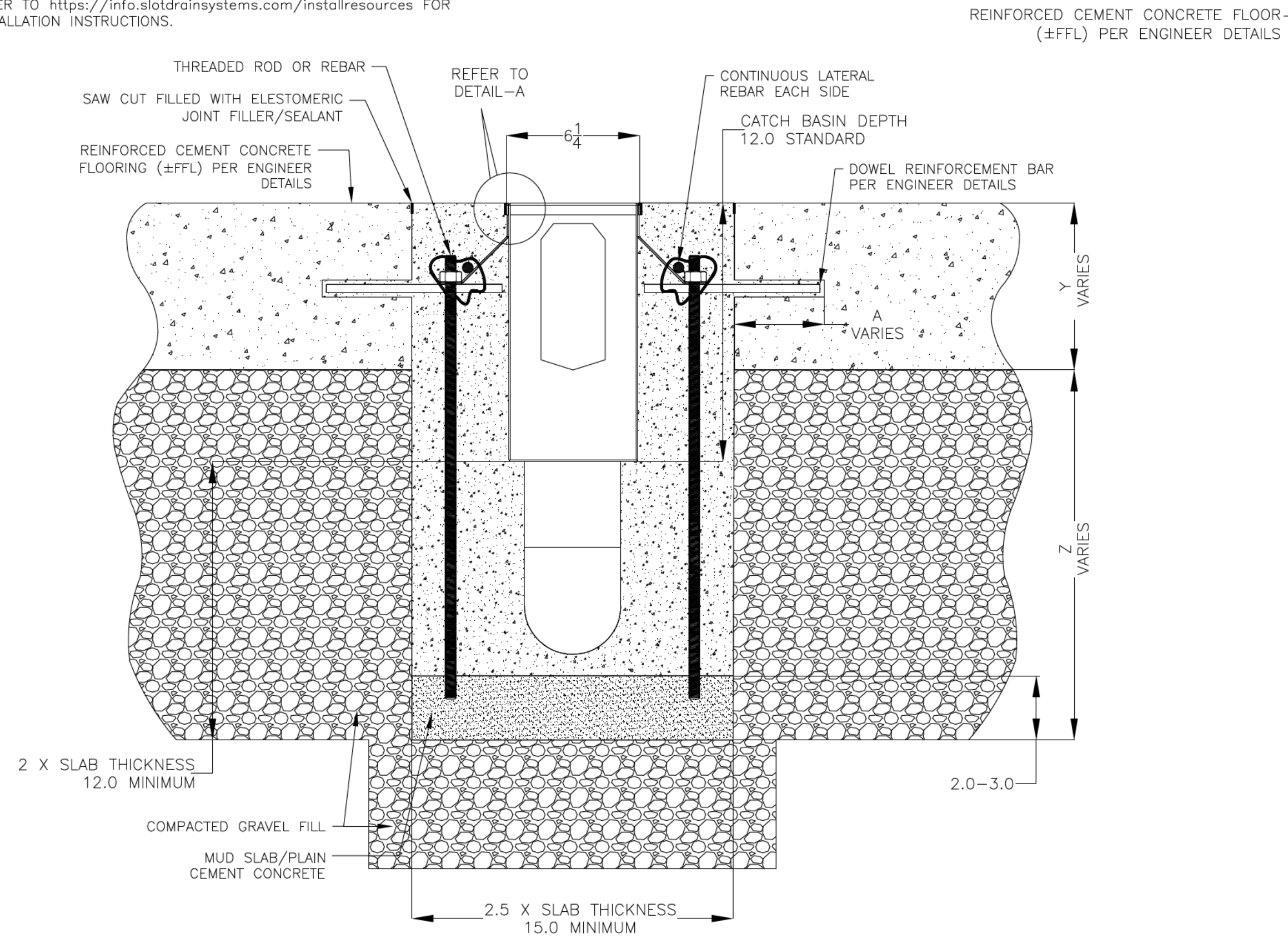


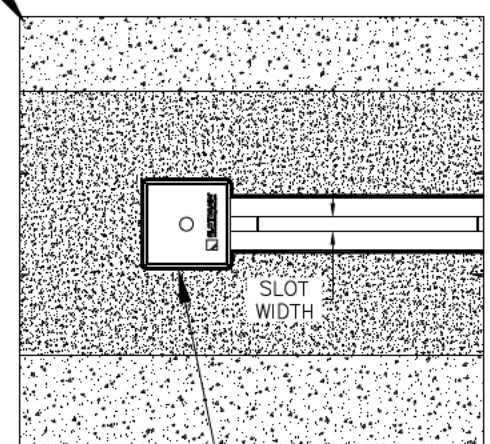
NOTES: UNLESS OTHERWISE SPECIFIED

1. ALL DIMENSIONS ARE IN INCHES.
2. DRAIN BODY MATERIAL: 14GA STAINLESS STEEL T304/T316
3. SPECIFYING ENGINEER IS RESPONSIBLE FOR CONCRETE ENCASEMENT AND REINFORCING BASED UPON APPLICATION AND LOCAL CODES.
4. REFER TO <https://info.slotdrainsystems.com/installresources> FOR INSTALLATION INSTRUCTIONS.

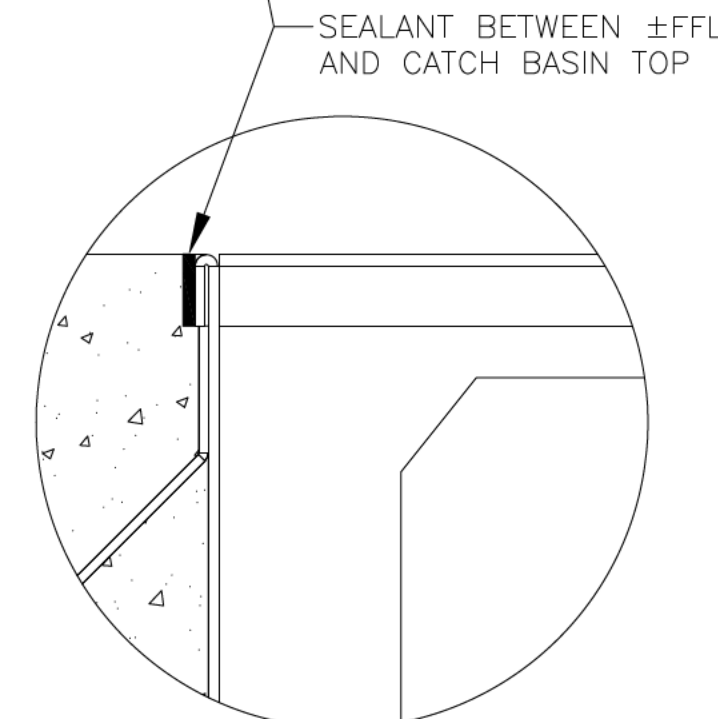
REVISIONS			
REV	DESCRIPTION	DATE	BY
0	INITIAL RELEASE - R0	11/20/2019	DK
1	UPDATED DRAWING LAYOUT & REBAR DETAILS	7/14/2021	DK
2	UPDATED WITH GLOBAL DRAIN TEMPLATE	3/19/2024	DK



REINFORCED CEMENT CONCRETE FLOOR (±FFL) PER ENGINEER DETAILS



PLAN VIEW



DETAIL-A

SEALANT BETWEEN ±FFL AND CATCH BASIN TOP

6X6X12 CATCH BASIN INSTALLATION DETAILS



DRAWING TITLE  
CONCRETE FLOOR-RETROFIT INSTALLATION

ALL DRAWINGS ARE THE EXCLUSIVE PROPERTY OF SLOT DRAIN SYSTEMS. ANY REPRODUCTION IN PART OR IN WHOLE IS PROHIBITED WITHOUT PROPER CONSENT.

DRAIN SERIES	6X6X12 CATCH BASIN			REV. 2
DWG NO.	IN-6X6X12PIT-100-R2	SIZE B	SCALE NTS	SHEET 1 OF 1