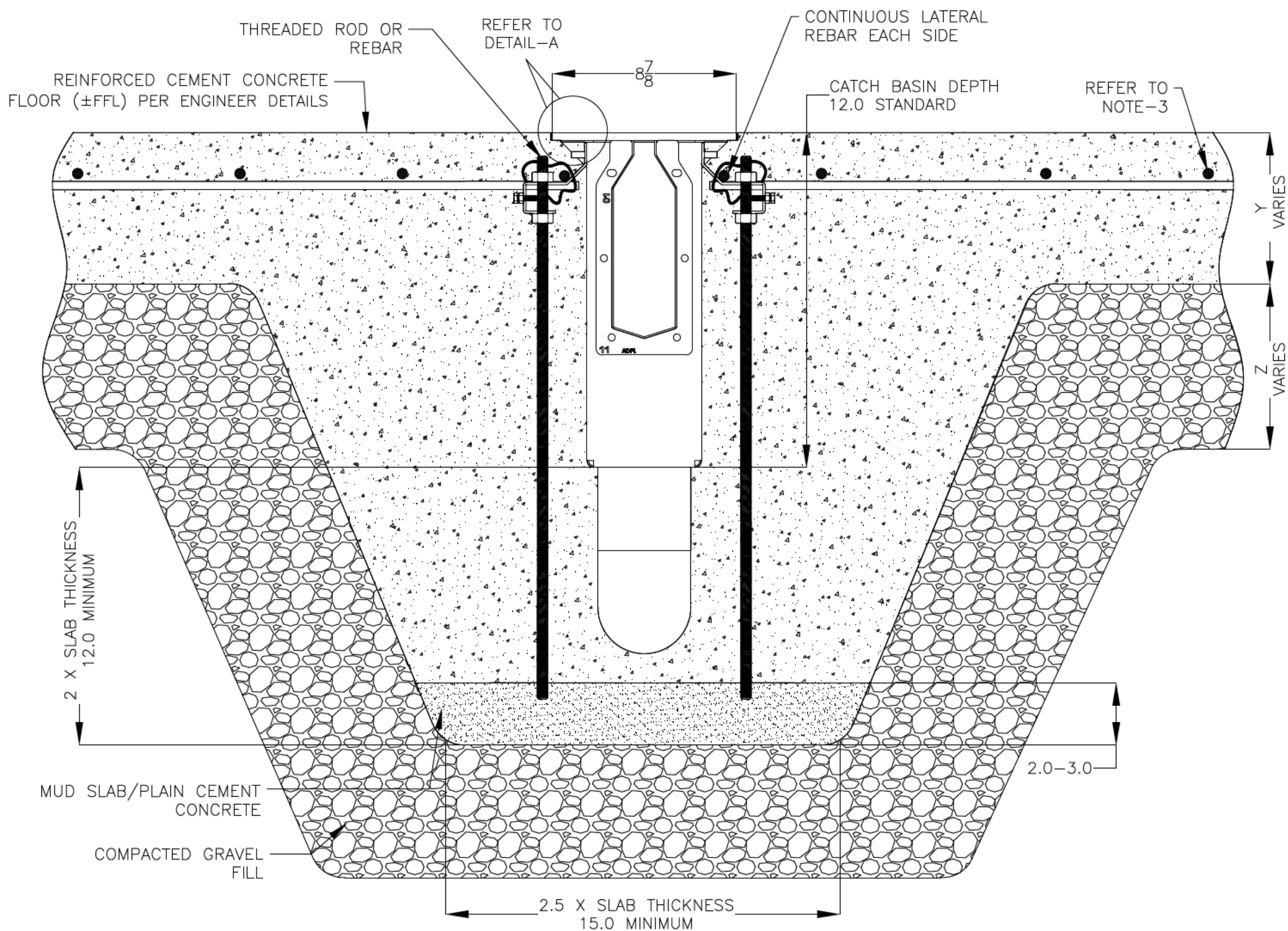


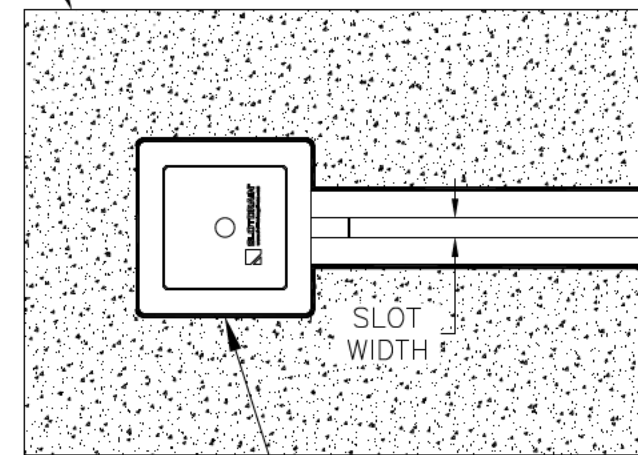
NOTES: UNLESS OTHERWISE SPECIFIED

1. ALL DIMENSIONS ARE IN INCHES.
2. CATCH BASIN BODY MATERIAL: 14GA STAINLESS STEEL T304/T316
3. SPECIFYING ENGINEER IS RESPONSIBLE FOR CONCRETE ENCASEMENT AND REINFORCING BASED UPON APPLICATION AND LOCAL CODES.
4. REFER TO <https://info.slotdrainsystems.com/installresources> FOR INSTALLATION INSTRUCTIONS.

REVISIONS			
REV	DESCRIPTION	DATE	BY
0	INITIAL RELEASE - RO	11/20/2019	DK
1	UPDATED DRAWING LAYOUT & REBAR DETAILS	7/14/2021	DK
2	UPDATED WITH GLOBAL DRAIN TEMPLATE	3/19/2024	DK

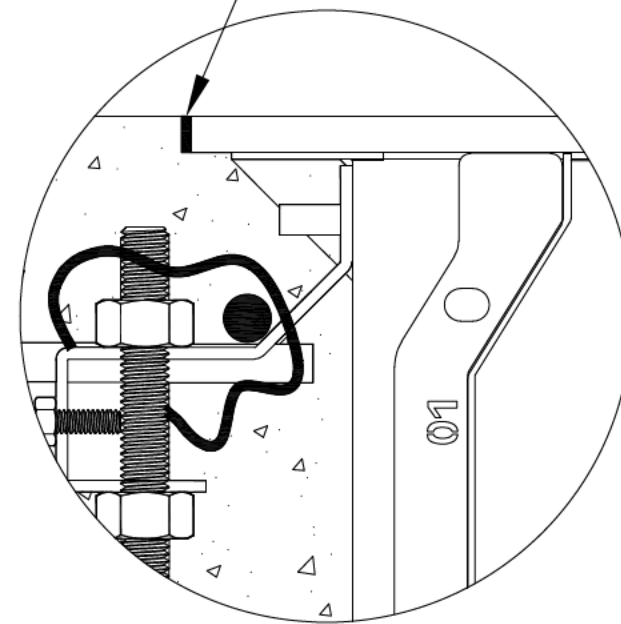


REINFORCED CEMENT CONCRETE FLOOR (±FFL) PER ENGINEER DETAILS



PLAN VIEW

SEALANT BETWEEN ±FFL AND CATCH BASIN TOP



DETAIL-A

6X6X12 CATCH BASIN INSTALLATION DETAILS



DRAWING TITLE
CONCRETE FLOOR-NEW CONSTRUCTION INSTALLATION

ALL DRAWINGS ARE THE EXCLUSIVE PROPERTY OF SLOT DRAIN SYSTEMS. ANY REPRODUCTION IN PART OR IN WHOLE IS PROHIBITED WITHOUT PROPER CONSENT.

DRAIN SERIES	6X6X12 CATCH BASIN	REV.	2
DWG NO.	IN-6X6X12FGPIT-001-R2	SIZE	B
		SCALE	NTS
		SHEET	1 OF 1