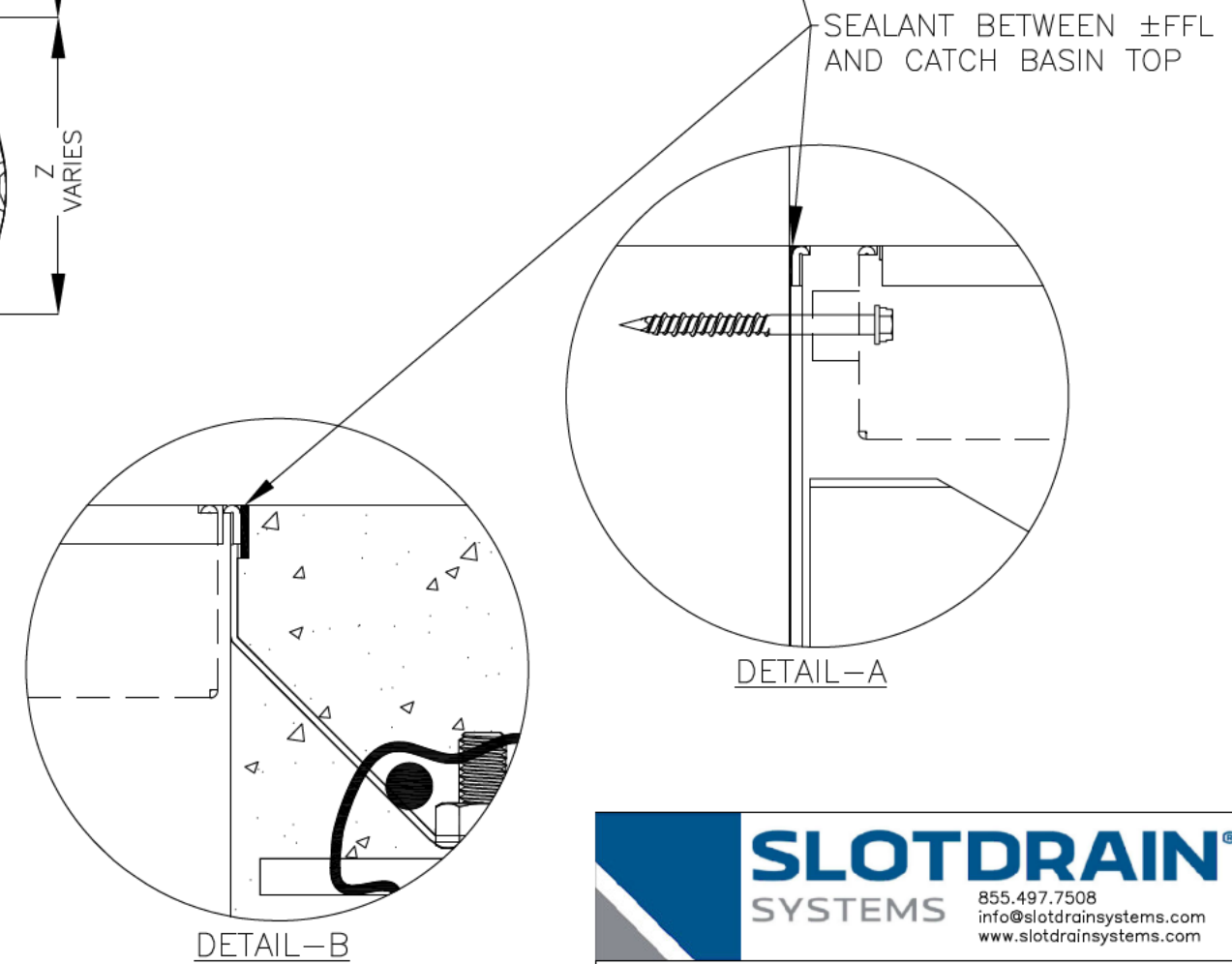
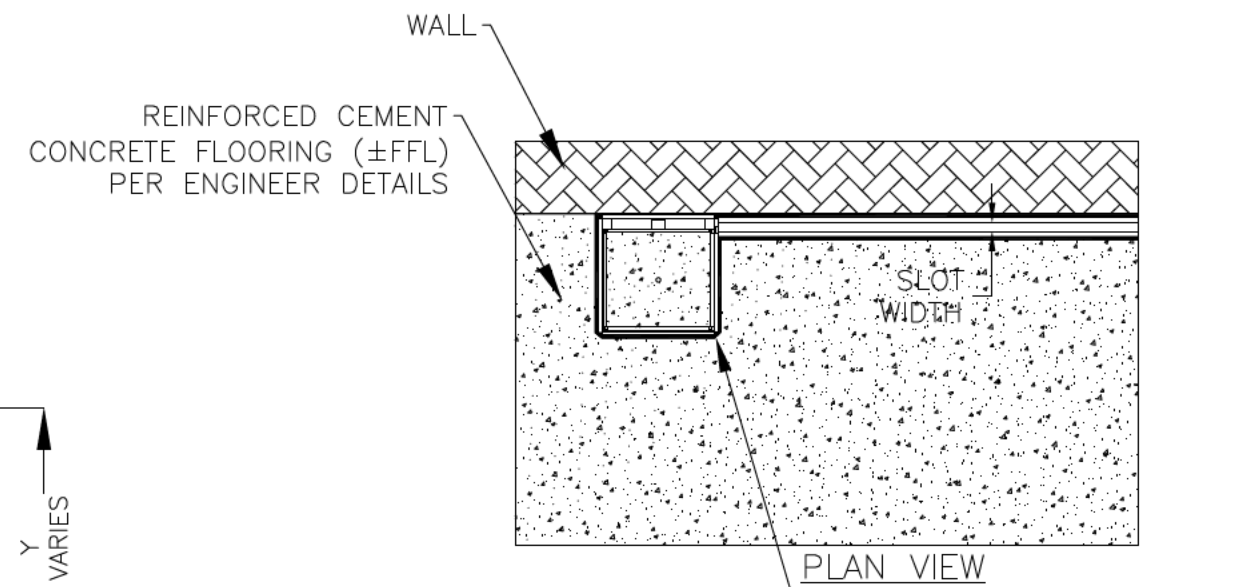
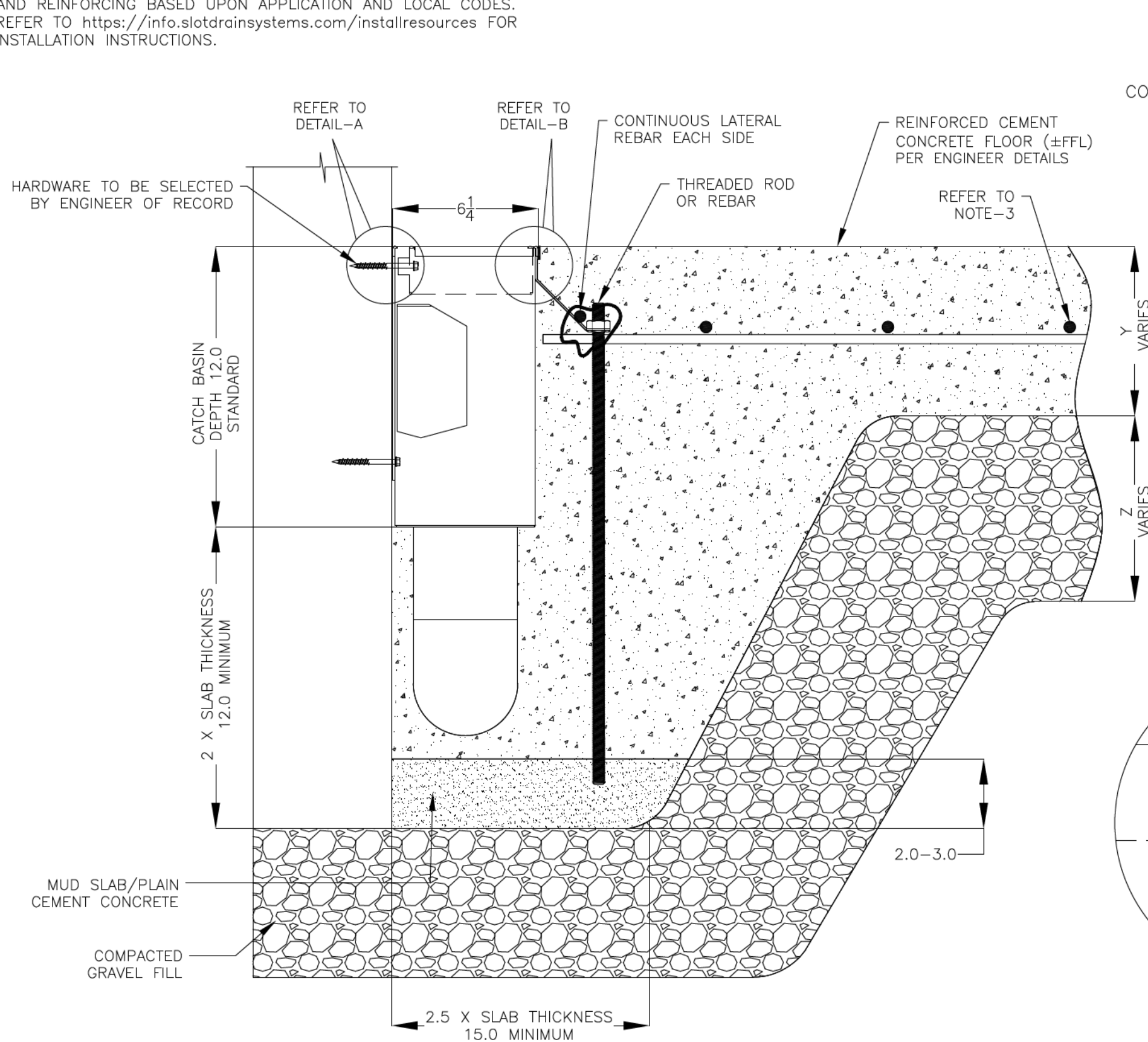


NOTES: UNLESS OTHERWISE SPECIFIED

1. ALL DIMENSIONS ARE IN INCHES.
2. CATCH BASIN BODY MATERIAL: 14GA STAINLESS STEEL T304/T316
3. SPECIFYING ENGINEER IS RESPONSIBLE FOR CONCRETE ENCASEMENT AND REINFORCING BASED UPON APPLICATION AND LOCAL CODES.
4. REFER TO <https://info.slotdrainsystems.com/installresources> FOR INSTALLATION INSTRUCTIONS.

REVISIONS			
REV	DESCRIPTION	DATE	BY
0	INITIAL RELEASE - RO	11/20/2019	DK
1	UPDATED DRAWING LAYOUT & REBAR DETAILS	7/14/2021	DK



6X6X12 NON FG 4000 CATCH BASIN INSTALLATION DETAILS

**SLOT DRAIN**<sup>®</sup>  
SYSTEMS

855.497.7508  
info@slotdrainsystems.com  
www.slotdrainsystems.com

DRAWING TITLE  
CONCRETE FLOOR-NEW CONSTRUCTION-WALL INSTALL

ALL DRAWINGS ARE THE EXCLUSIVE PROPERTY OF SLOT DRAIN SYSTEMS. ANY REPRODUCTION IN PART OR IN WHOLE IS PROHIBITED WITHOUT PROPER CONSENT.

DRAIN SERIES	6X6X12 NON FG 4000 CATCH BASIN WITH PANLID	REV.	1
DWG NO.	IN-4000-6X6X12PITPANLID-001-R1	SIZE	B
SCALE	NTS	SHEET	1 OF 1