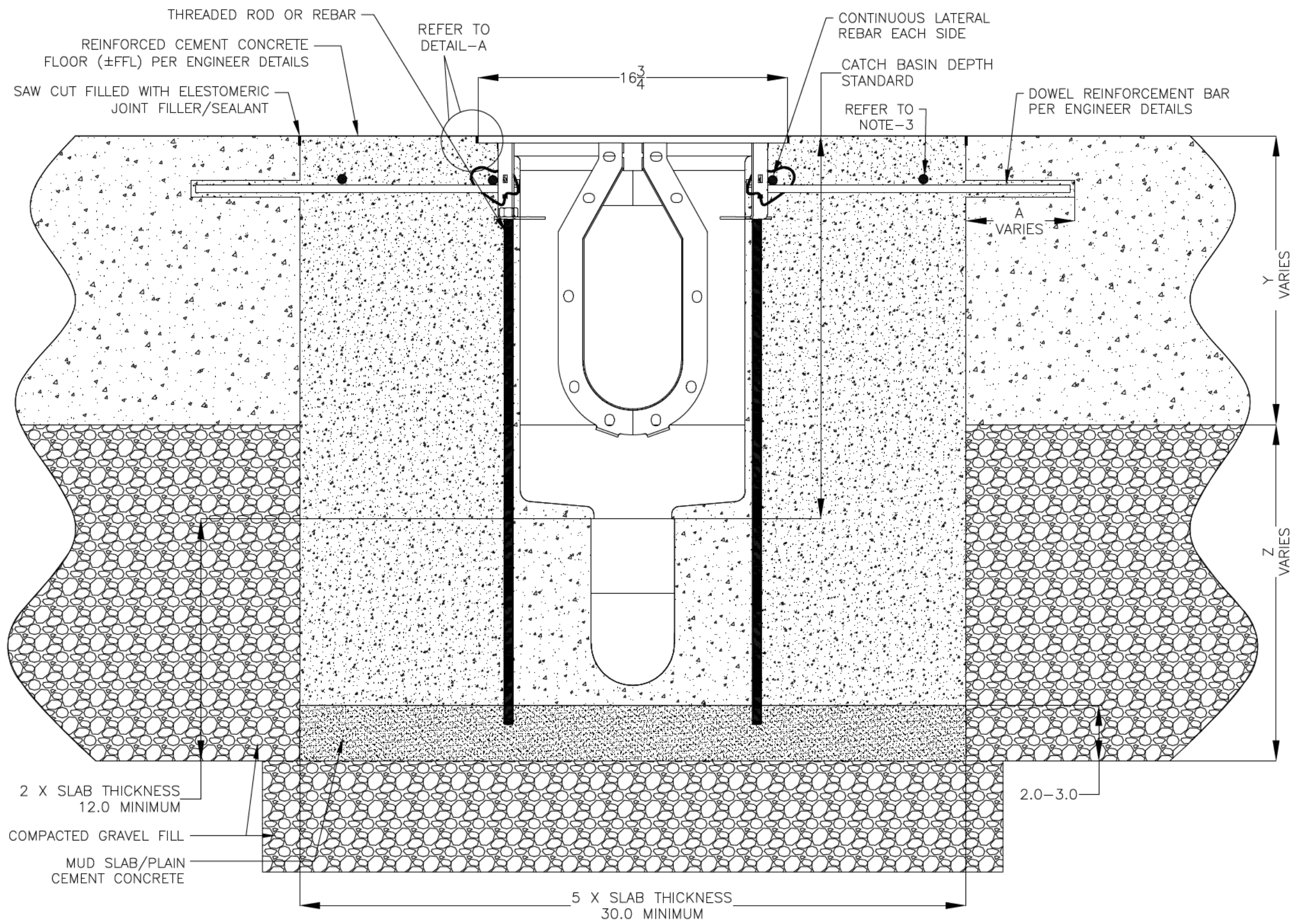


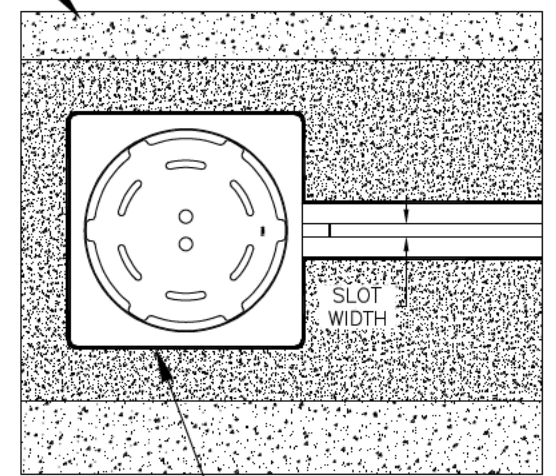
REVISIONS			
REV	DESCRIPTION	DATE	BY
0	INITIAL RELEASE - RO	3/12/2026	DK

NOTES: UNLESS OTHERWISE SPECIFIED

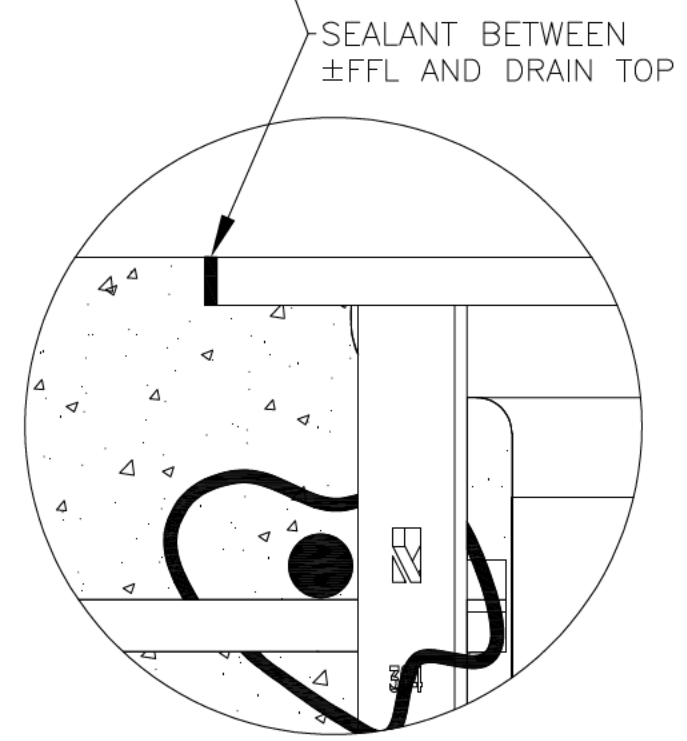
1. ALL DIMENSIONS ARE IN INCHES.
2. DRAIN BODY MATERIAL: 14GA STAINLESS STEEL T304/T316
3. SPECIFYING ENGINEER IS RESPONSIBLE FOR CONCRETE ENCASUREMENT AND REINFORCING BASED UPON APPLICATION AND LOCAL CODES.
4. REFER TO <https://info.slotdrainsystems.com/installresources> FOR INSTALLATION INSTRUCTIONS.



REINFORCED CEMENT CONCRETE FLOOR (±FFL) PER ENGINEER DETAILS



PLAN VIEW



DETAIL-A



DRAWING TITLE  
CONCRETE FLOOR-RETROFIT INSTALLATION

Ø12X20 CIRCULAR CATCH BASIN INSTALLATION DETAILS

ALL DRAWINGS ARE THE EXCLUSIVE PROPERTY OF SLOT DRAIN SYSTEMS. ANY REPRODUCTION IN PART OR IN WHOLE IS PROHIBITED WITHOUT PROPER CONSENT.

DRAIN SERIES	Ø12X20 CIRCULAR CATCH BASIN SQUARE TOP	REV.	0
DWG NO.	IN-12X20SE/MP10-100-RO	SIZE	B
		SCALE	NTS
		SHEET	1 OF 1