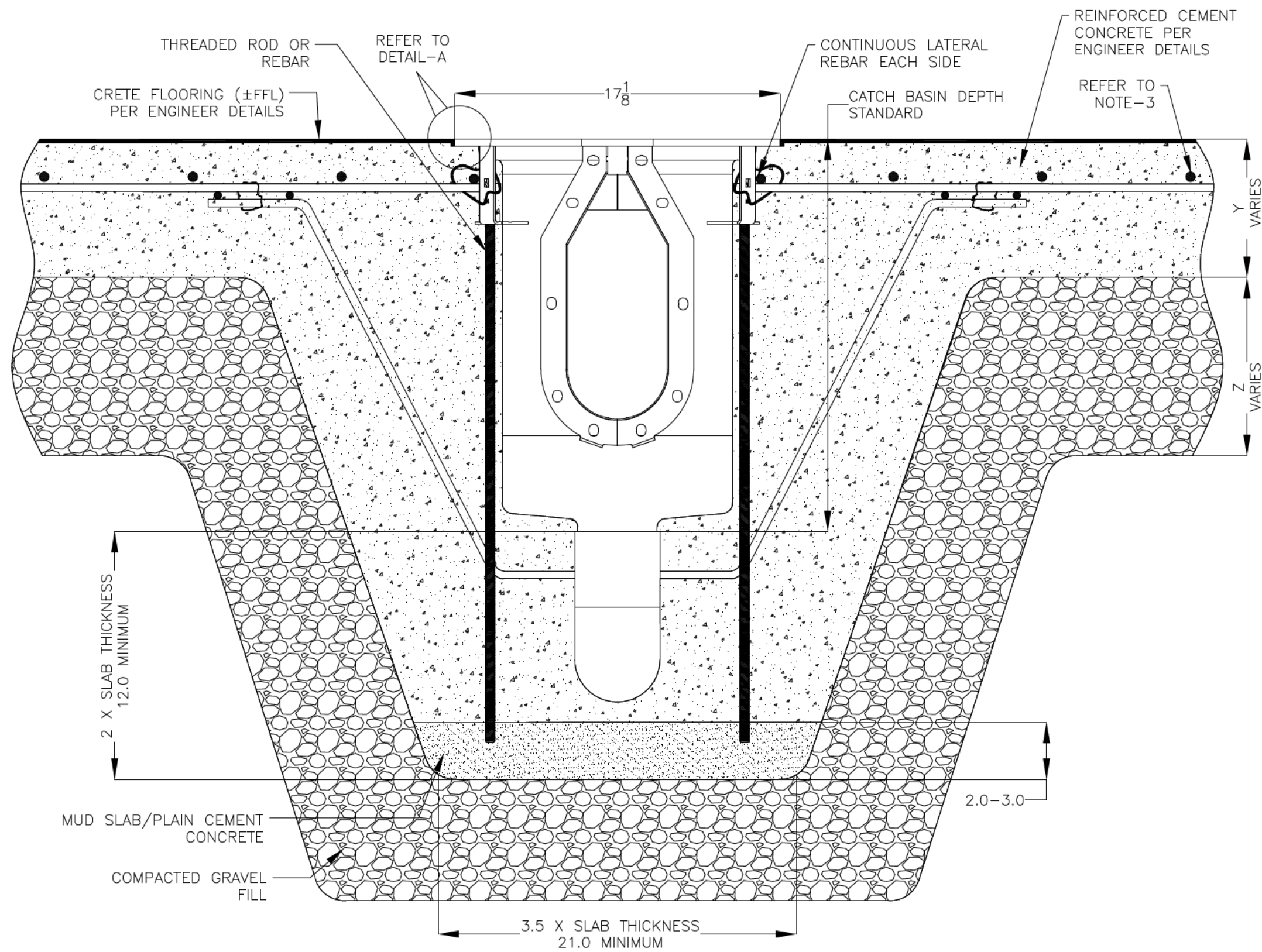


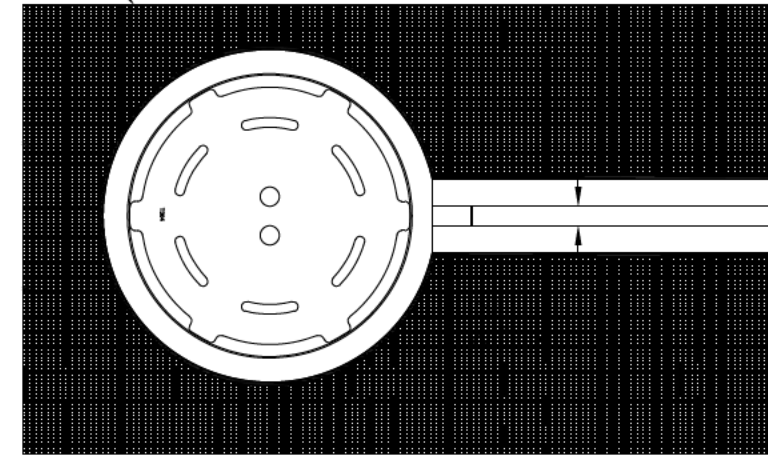
NOTES: UNLESS OTHERWISE SPECIFIED

REVISIONS			
REV	DESCRIPTION	DATE	BY
0	INITIAL RELEASE - RO	3/12/2026	DK

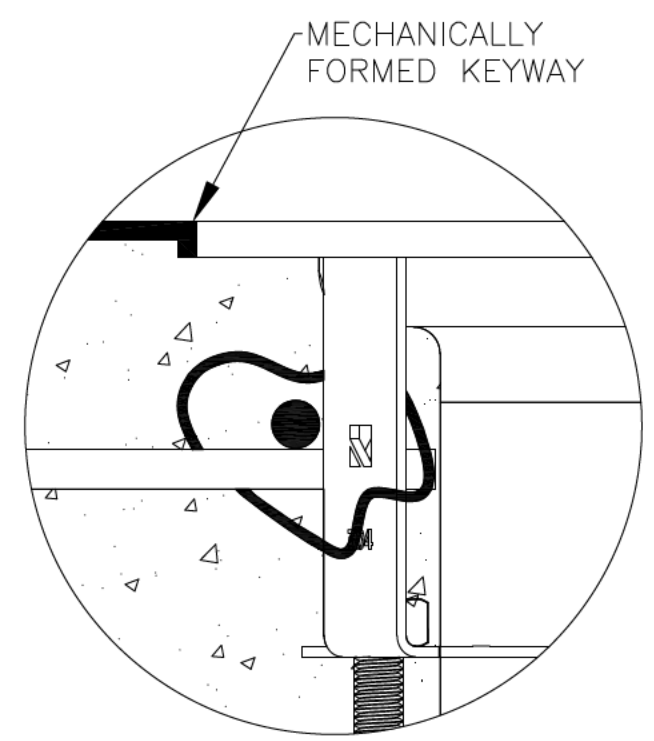
1. ALL DIMENSIONS ARE IN INCHES.
2. CATCH BASIN BODY MATERIAL: 14GA STAINLESS STEEL T304/T316
3. SPECIFYING ENGINEER IS RESPONSIBLE FOR CONCRETE ENCASEMENT AND REINFORCING BASED UPON APPLICATION AND LOCAL CODES.
4. REFER TO <https://info.slotdrainsystems.com/installresources> FOR INSTALLATION INSTRUCTIONS.



CRETE FLOORING (\pm FFL)
PER ENGINEER DETAILS



PLAN VIEW



DETAIL-A



DRAWING TITLE
CRETE FLOOR-NEW CONSTRUCTION INSTALLATION

DRAIN SERIES
Ø12X20 CIRCULAR CATCH BASIN ROUND TOP

DWG NO. IN-12X20RE/MP10-002-RO SIZE B SCALE NTS SHEET 1 OF 1

Ø12X20 CIRCULAR CATCH BASIN INSTALLATION DETAILS

ALL DRAWINGS ARE THE EXCLUSIVE PROPERTY OF SLOT DRAIN SYSTEMS. ANY REPRODUCTION IN PART OR IN WHOLE IS PROHIBITED WITHOUT PROPER CONSENT.