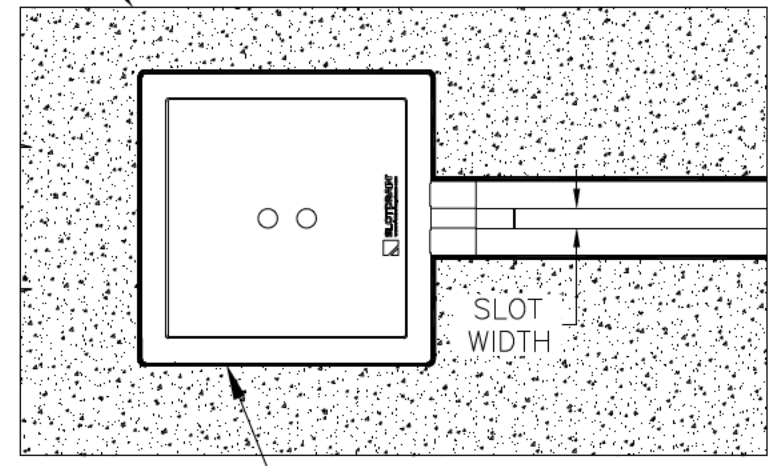
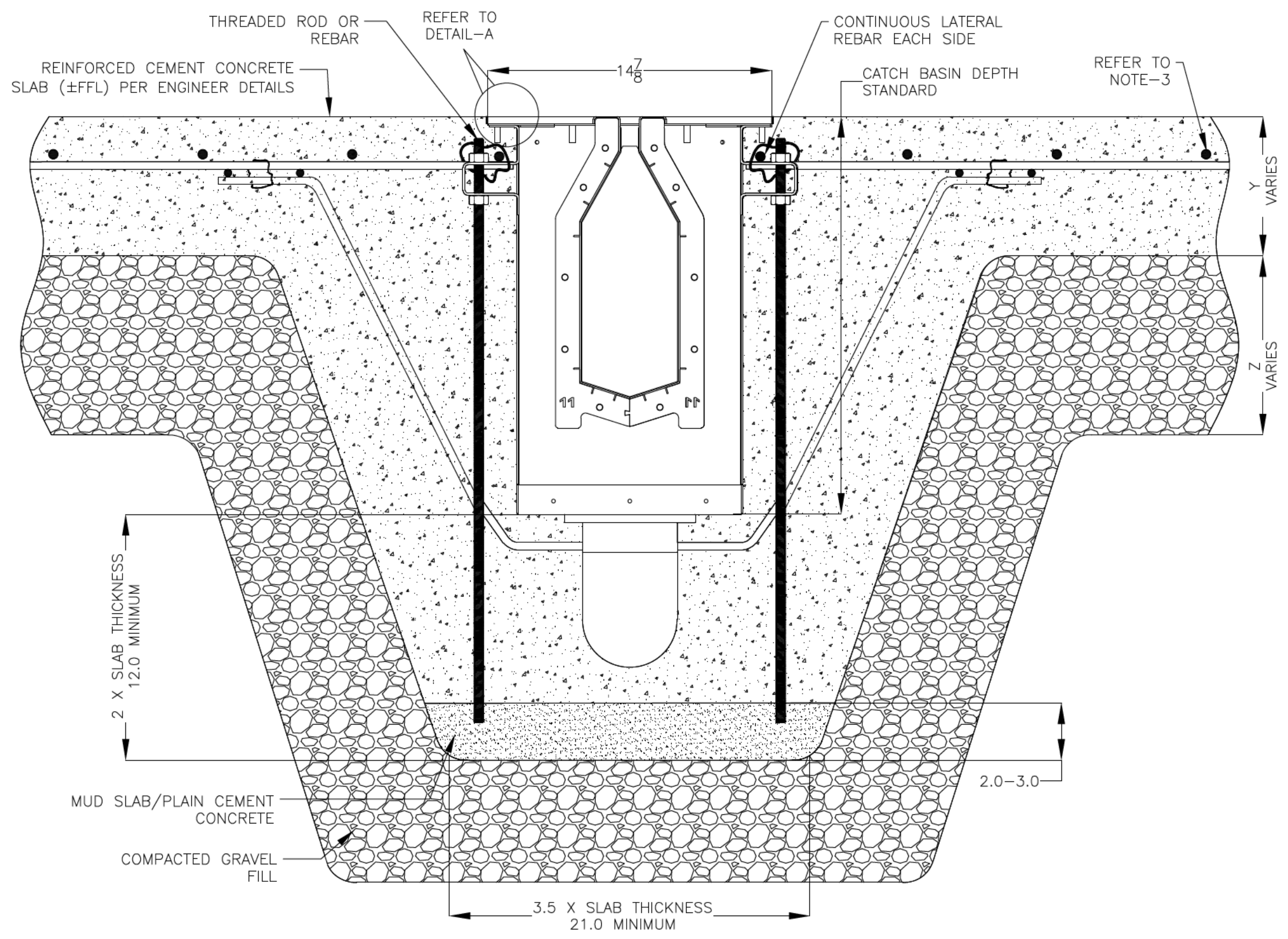


REVISIONS			
REV	DESCRIPTION	DATE	BY
0	INITIAL RELEASE - RO	3/13/2026	DK

NOTES: UNLESS OTHERWISE SPECIFIED

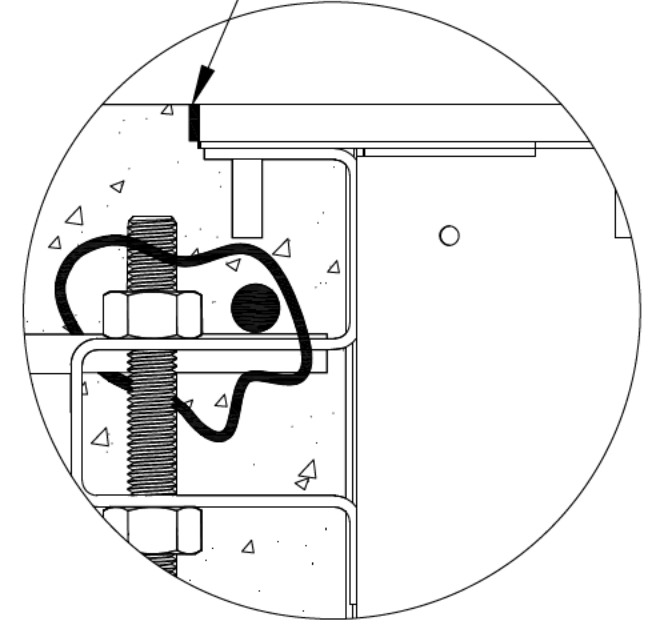
1. ALL DIMENSIONS ARE IN INCHES.
2. CATCH BASIN BODY MATERIAL: 14GA T304 STAINLESS STEEL / GALVANIZED STEEL
3. SPECIFYING ENGINEER IS RESPONSIBLE FOR CONCRETE ENCASEMENT AND REINFORCING BASED UPON APPLICATION AND LOCAL CODES.
4. REFER TO <https://info.slotdrainsystems.com/installresources> FOR INSTALLATION INSTRUCTIONS.

REINFORCED CEMENT CONCRETE SLAB (±FFL) PER ENGINEER DETAILS



PLAN VIEW

SEALANT BETWEEN ±FFL AND CATCH BASIN TOP



DETAIL-A

12X12X20 CATCH BASIN INSTALLATION DETAILS



DRAWING TITLE
CONCRETE FLOOR-NEW CONSTRUCTION INSTALLATION

DRAIN SERIES
12X12X20 8000 SERIES CATCH BASIN

DWG NO. IN-12X12X20-8KPIT-001-RO SIZE B SCALE NTS SHEET 1 OF 1

ALL DRAWINGS ARE THE EXCLUSIVE PROPERTY OF SLOT DRAIN SYSTEMS. ANY REPRODUCTION IN PART OR IN WHOLE IS PROHIBITED WITHOUT PROPER CONSENT.