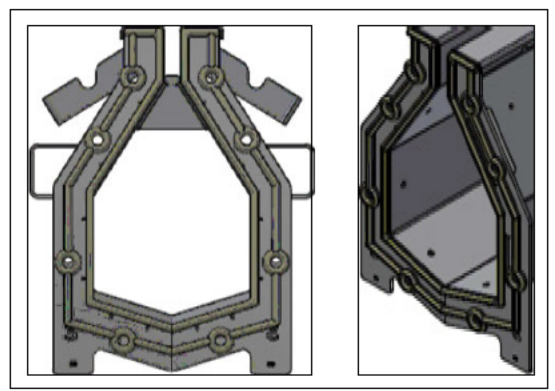


NOTES: UNLESS OTHERWISE SPECIFIED

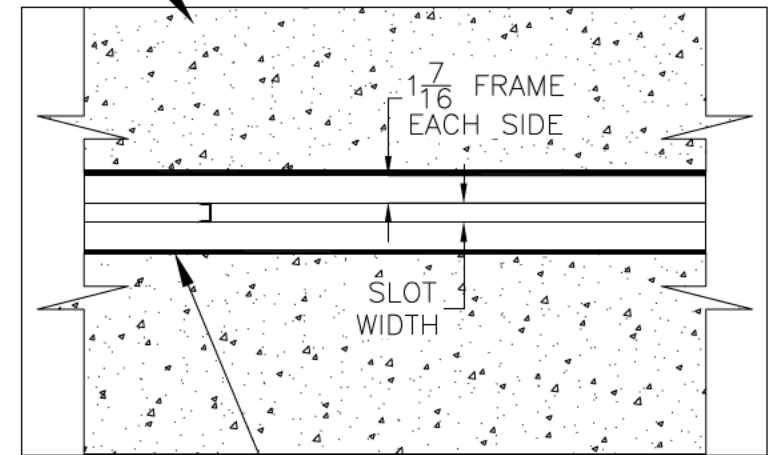
1. ALL DIMENSIONS ARE IN INCHES.
2. DRAIN BODY MATERIAL: 14GA GALVANIZED/STAINLESS STEEL T304/T316
3. APPLY TWO LAYER OF SILICONE BEAD NEXT TO EACH OTHER AS SHOWN IN THE DETAIL-B.
4. SPECIFYING ENGINEER IS RESPONSIBLE FOR CONCRETE ENCASEMENT AND REINFORCING BASED UPON APPLICATION AND LOCAL CODES.
5. REFER TO <https://info.slotdrainsystems.com/installresources> FOR INSTALLATION INSTRUCTIONS.

| REVISIONS | | | |
|-----------|---|-----------|----|
| REV | DESCRIPTION | DATE | BY |
| 0 | INITIAL RELEASE - R0 | 1/8/2024 | DK |
| 1 | UPDATED WITH GLOBAL DRAIN TEMPLATE | 3/19/2024 | DK |
| 2 | UPDATED WITH THE DETAILS ABOUT SILICONE APPLICATION | 3/7/2025 | DK |

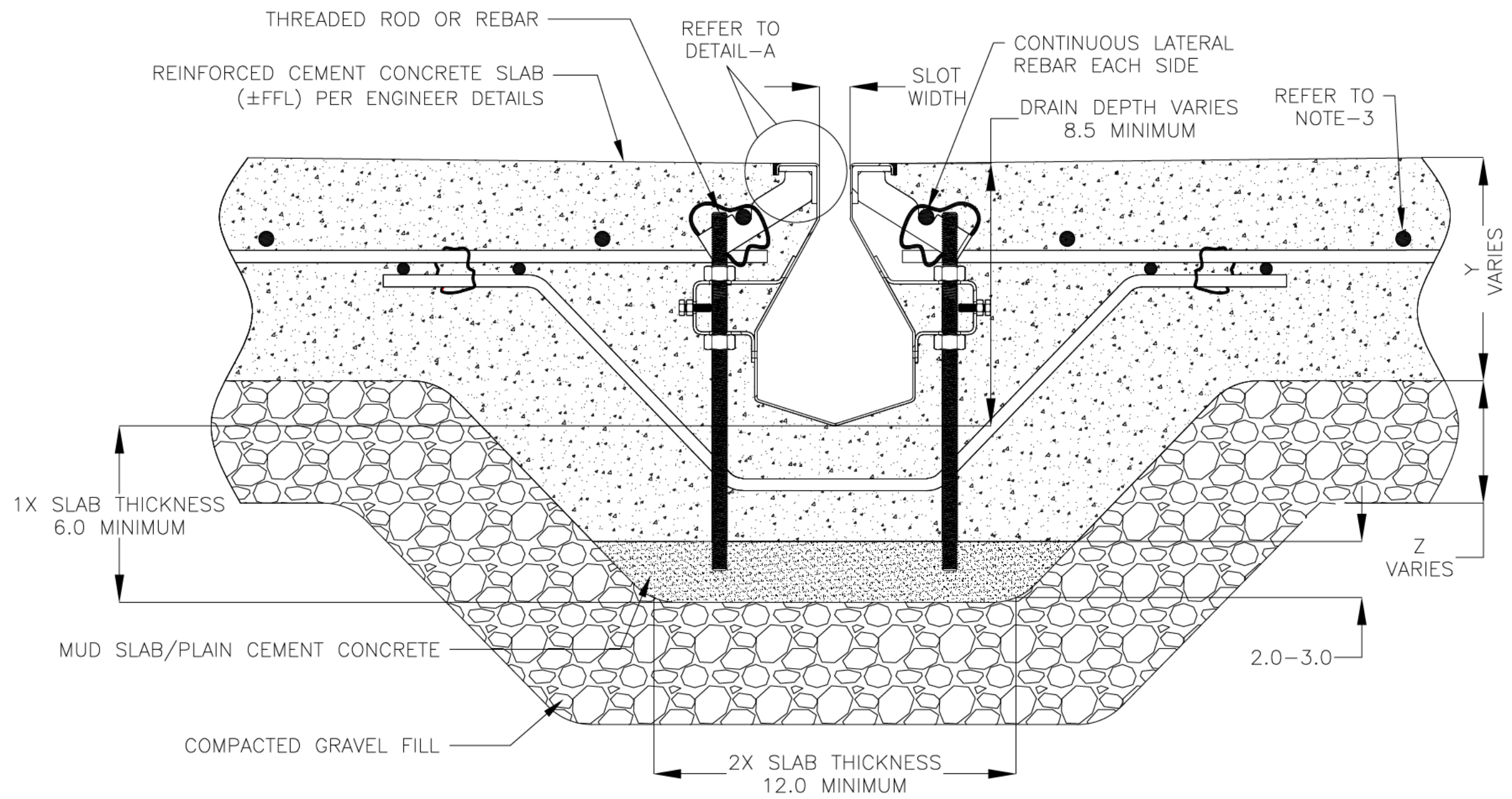


DETAIL-B
(REFER TO NOTE-3)

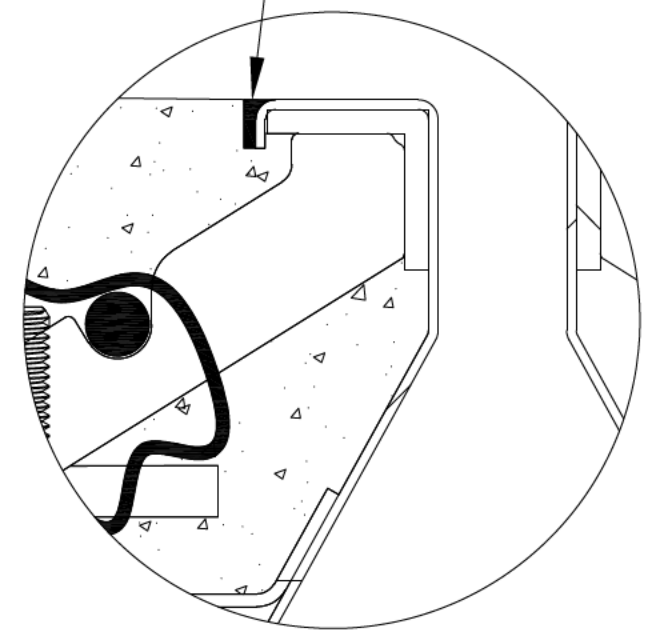
REINFORCED CEMENT CONCRETE SLAB (±FFL) PER ENGINEER DETAILS



PLAN VIEW



SEALANT BETWEEN ±FFL AND DRAIN TOP LVL



DETAIL-A

8000 SERIES SLOT DRAIN INSTALLATION DETAILS



DRAWING TITLE
CONCRETE FLOOR-NEW CONSTRUCTION INSTALLATION

DRAIN SERIES
8000 SERIES SLOT DRAIN

DWG NO. IN-SD8000-003-R2 SIZE B SCALE NTS SHEET 1 OF 1

ALL DRAWINGS ARE THE EXCLUSIVE PROPERTY OF SLOT DRAIN SYSTEMS. ANY REPRODUCTION IN PART OR IN WHOLE IS PROHIBITED WITHOUT PROPER CONSENT.