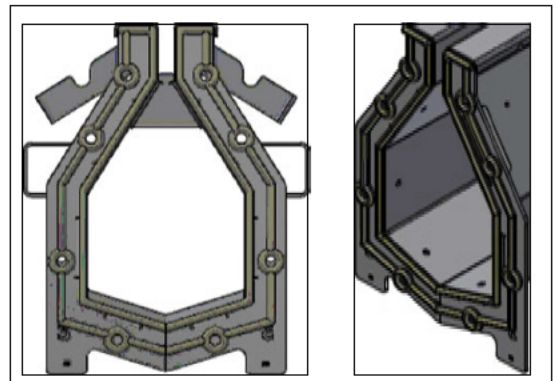


NOTES: UNLESS OTHERWISE SPECIFIED

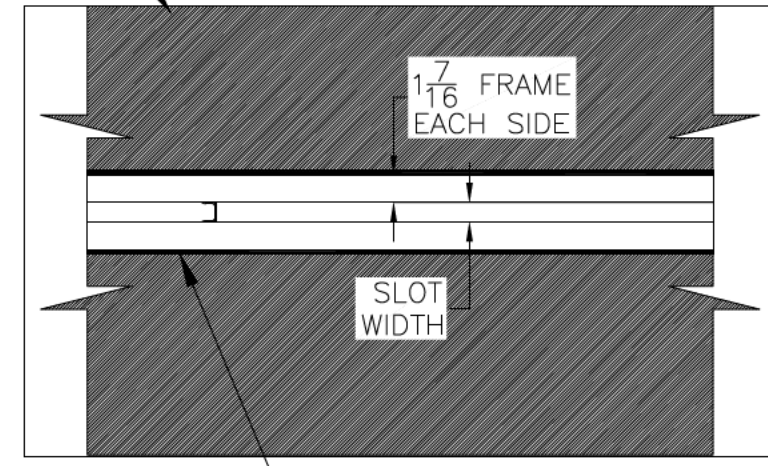
REVISIONS			
REV	DESCRIPTION	DATE	BY
0	INITIAL RELEASE - RO	1/8/2024	DK
1	UPDATED WITH GLOBAL DRAIN TEMPLATE	3/19/2024	DK
2	UPDATED WITH THE DETAILS ABOUT SILICONE APPLICATION	3/7/2025	DK

1. ALL DIMENSIONS ARE IN INCHES.
2. DRAIN BODY MATERIAL: 14GA GALVANIZED/STAINLESS STEEL T304/T316
3. APPLY TWO LAYER OF SILICONE BEAD NEXT TO EACH OTHER AS SHOWN IN THE DETAIL-B.
4. SPECIFYING ENGINEER IS RESPONSIBLE FOR CONCRETE ENCASEMENT AND REINFORCING BASED UPON APPLICATION AND LOCAL CODES.
5. REFER TO <https://info.slotdrainsystems.com/installresources> FOR INSTALLATION INSTRUCTIONS.

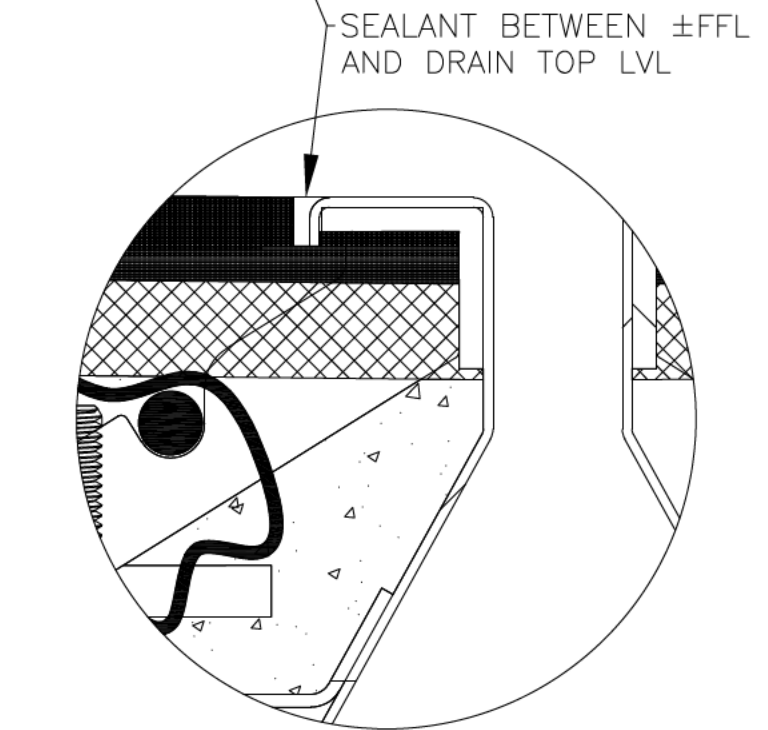
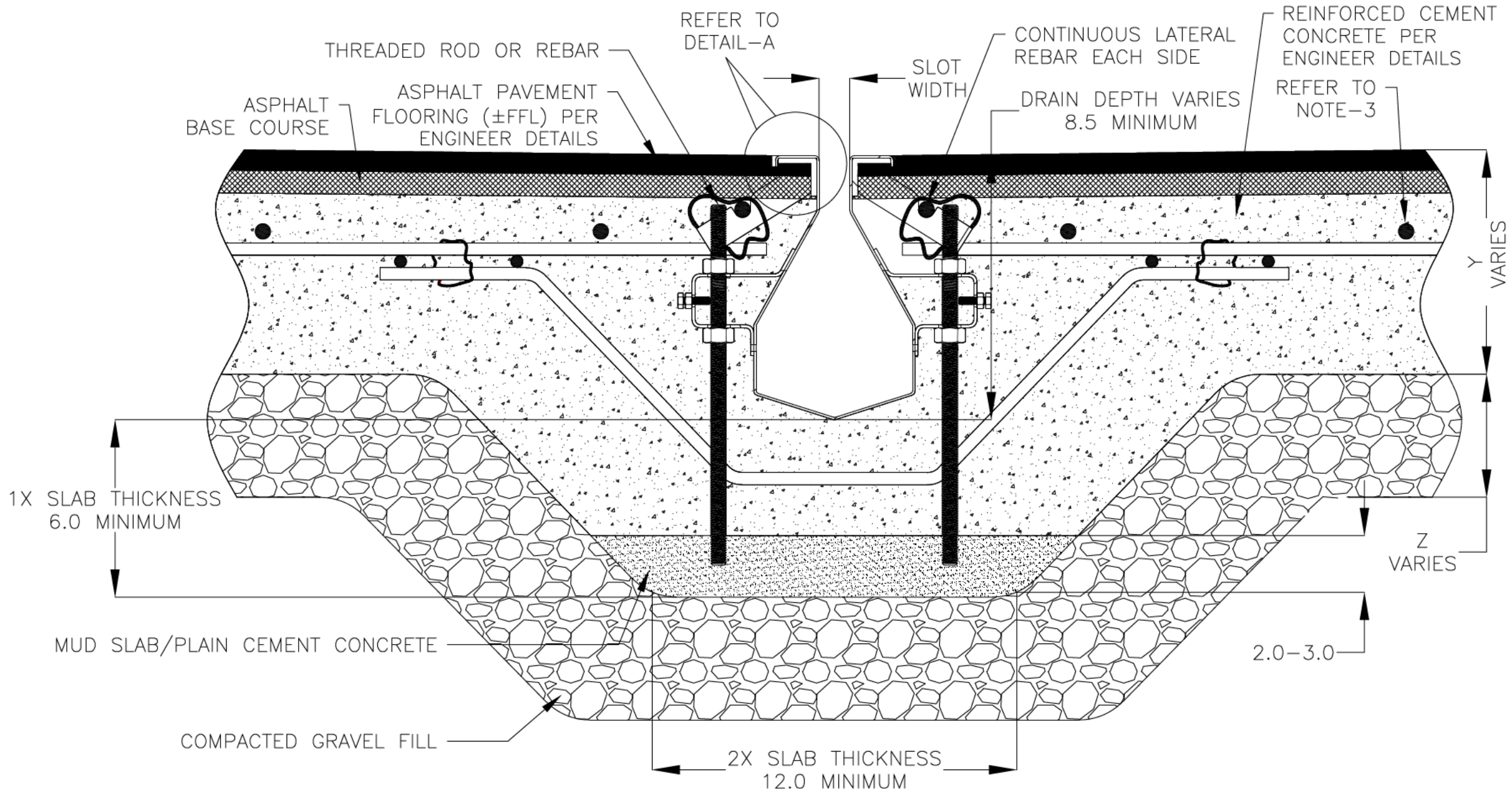


DETAIL-B  
(REFER TO NOTE-3)

ASPHALT PAVEMENT FLOORING ( $\pm$ FFL) PER ENGINEER DETAILS



PLAN VIEW



DETAIL-A

8000 SERIES SLOT DRAIN INSTALLATION DETAILS



DRAWING TITLE ASPHALT FLOOR-NEW CONSTRUCTION INSTALLATION			
DRAIN SERIES 8000 SERIES SLOT DRAIN		REV. 2	
DWG NO. IN-SD8000-002-R2	SIZE B	SCALE NTS	SHEET 1 OF 1

ALL DRAWINGS ARE THE EXCLUSIVE PROPERTY OF SLOT DRAIN SYSTEMS. ANY REPRODUCTION IN PART OR IN WHOLE IS PROHIBITED WITHOUT PROPER CONSENT.