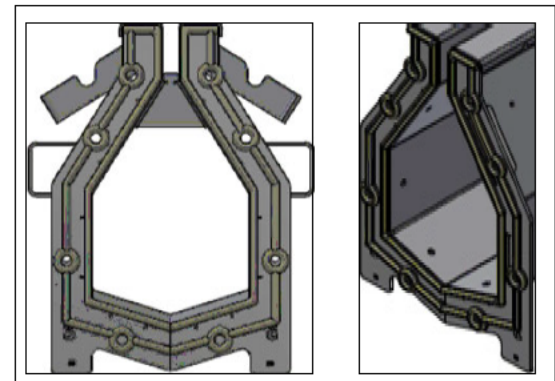


NOTES: UNLESS OTHERWISE SPECIFIED

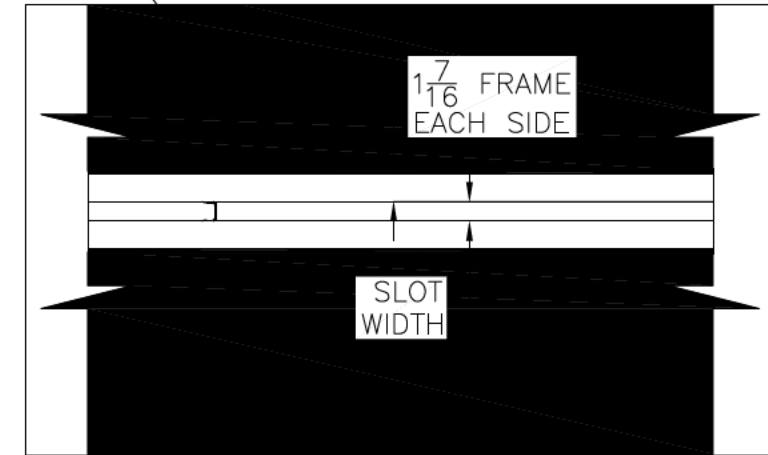
REVISIONS			
REV	DESCRIPTION	DATE	BY
0	INITIAL RELEASE - RO	1/8/2024	DK
1	UPDATED WITH GLOBAL DRAIN TEMPLATE	3/19/2024	DK
2	UPDATED WITH THE DETAILS ABOUT SILICONE APPLICATION	3/7/2025	DK

1. ALL DIMENSIONS ARE IN INCHES.
2. DRAIN BODY MATERIAL: 14GA GALVANIZED/STAINLESS STEEL T304/T316
3. APPLY TWO LAYER OF SILICONE BEAD NEXT TO EACH OTHER AS SHOWN IN THE DETAIL-B.
4. SPECIFYING ENGINEER IS RESPONSIBLE FOR CONCRETE ENCASEMENT AND REINFORCING BASED UPON APPLICATION AND LOCAL CODES.
5. REFER TO <https://info.slotdrainsystems.com/installresources> FOR INSTALLATION INSTRUCTIONS.

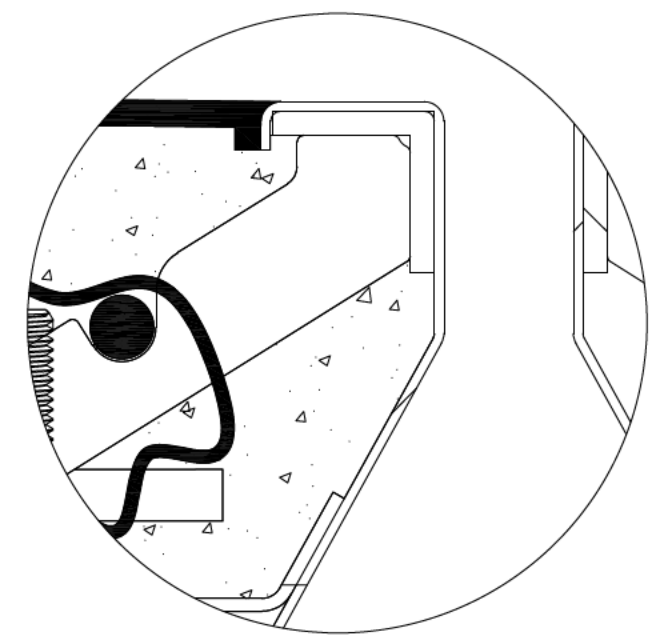
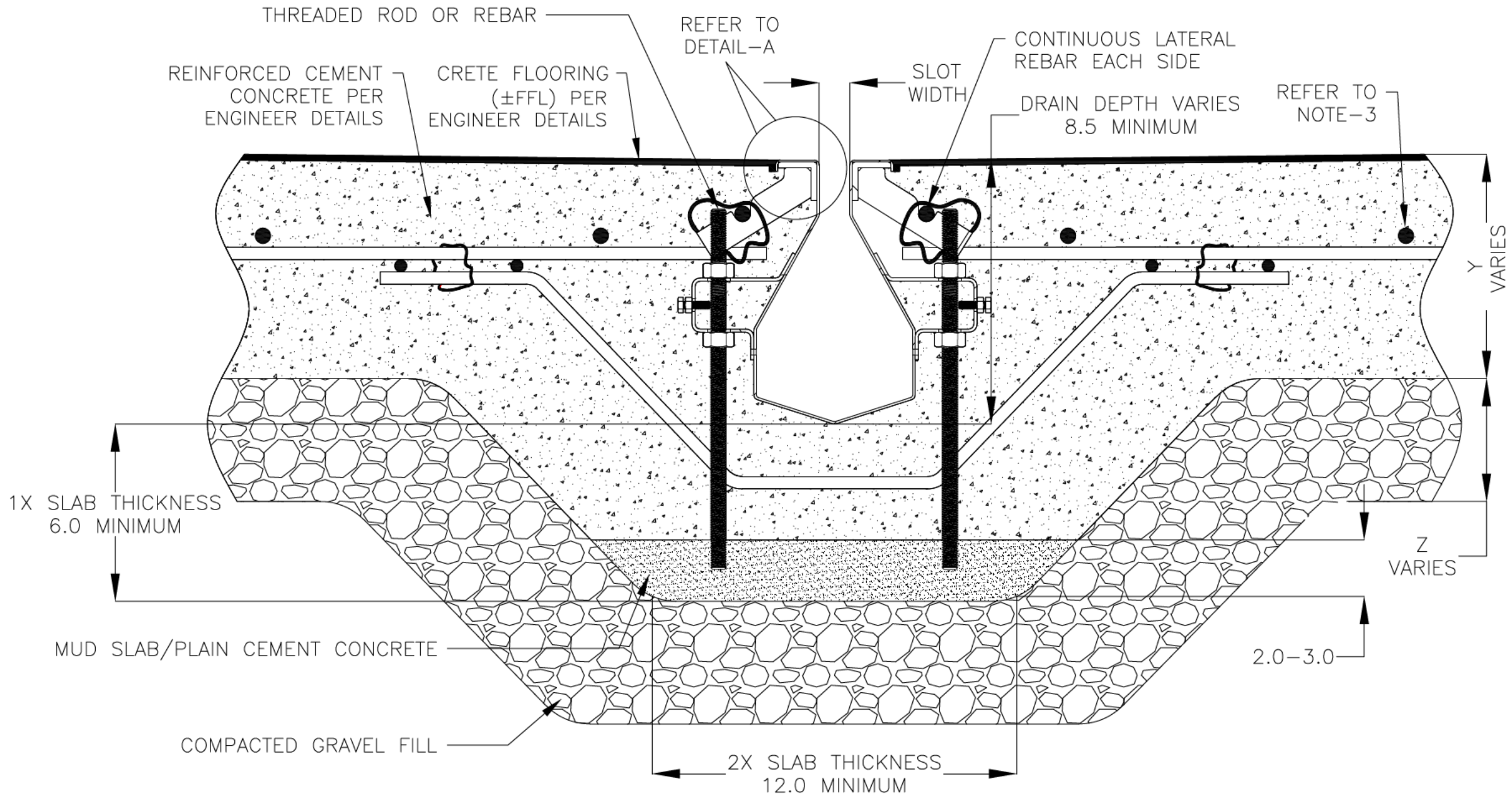


DETAIL-B
(REFER TO NOTE-3)

CRETE FLOOR (±FFL)
PER ENGINEER DETAILS



PLAN VIEW



DETAIL-A

8000 SERIES SLOT DRAIN INSTALLATION DETAILS

ALL DRAWINGS ARE THE EXCLUSIVE PROPERTY OF SLOT DRAIN SYSTEMS. ANY REPRODUCTION IN PART OR IN WHOLE IS PROHIBITED WITHOUT PROPER CONSENT.

GLOBAL DRAIN TECHNOLOGIES

DRAWING TITLE
CRETE FLOOR-NEW CONSTRUCTION INSTALLATION

DRAIN SERIES
8000 SERIES SLOT DRAIN

DWG NO.
IN-SD8000-001-R2

REV.
2

SIZE
B

SCALE
NTS

SHEET
1 OF 1