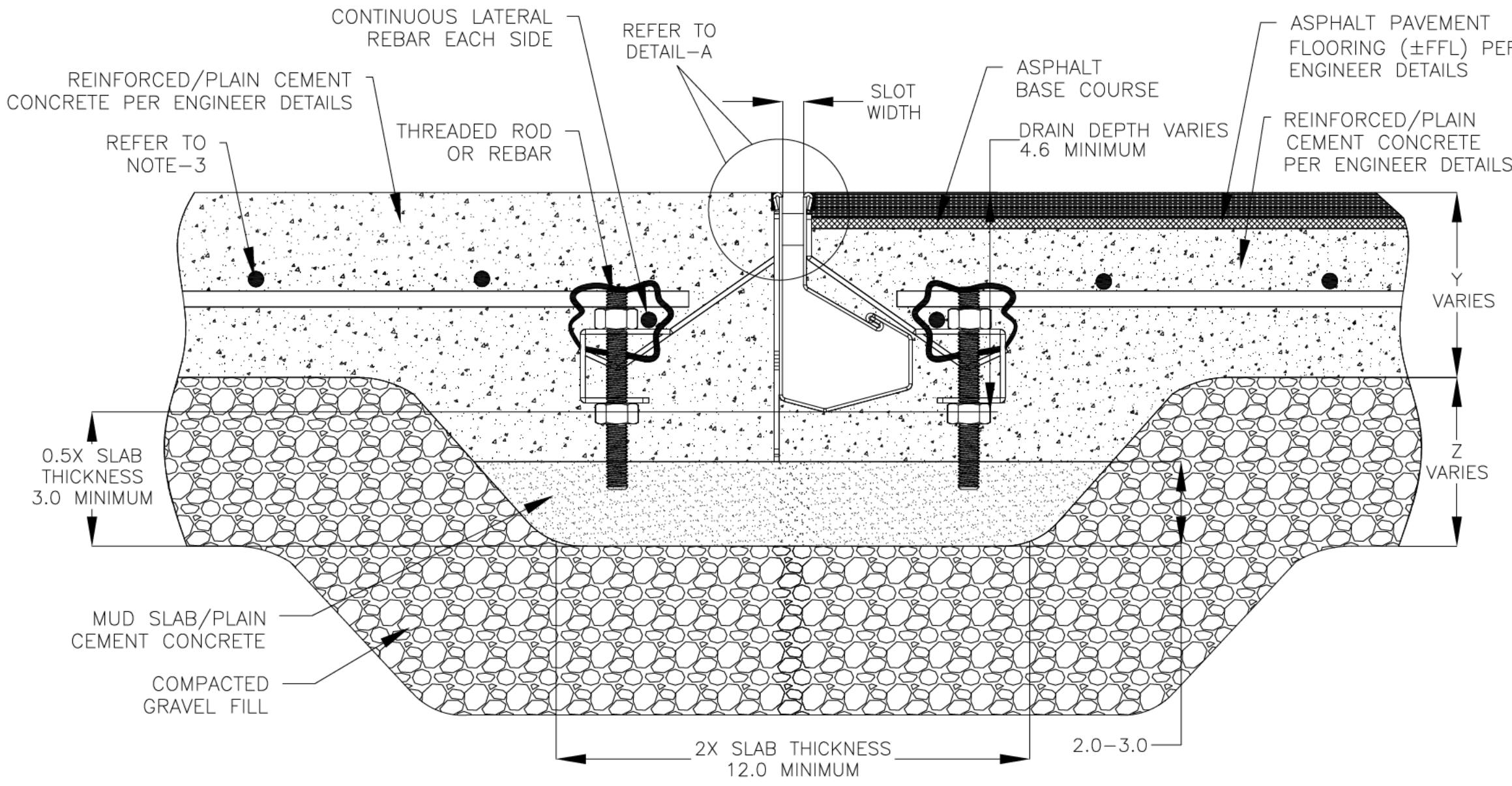


NOTES: UNLESS OTHERWISE SPECIFIED

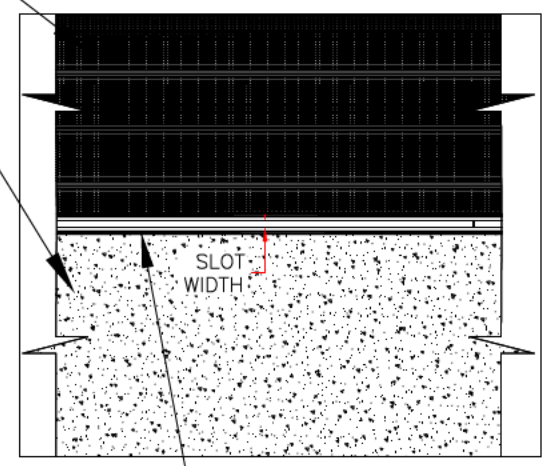
1. ALL DIMENSIONS ARE IN INCHES.
2. DRAIN BODY MATERIAL: 16GA STAINLESS STEEL T304/T316
3. SPECIFYING ENGINEER IS RESPONSIBLE FOR CONCRETE ENCASUREMENT AND REINFORCING BASED UPON APPLICATION AND LOCAL CODES.
4. REFER TO <https://info.slotdrainsystems.com/installresources> FOR INSTALLATION INSTRUCTIONS.

REVISIONS			
REV	DESCRIPTION	DATE	BY
0	INITIAL RELEASE - RO	4/26/2019	DK
1	UPDATED THE LEVELER DETAILS	3/19/2020	DK
2	UPDATED THE DRAIN LAYOUT	7/14/2021	DK
3	UPDATED WITH GLOBAL DRAIN TEMPLATE	2/14/2024	DK



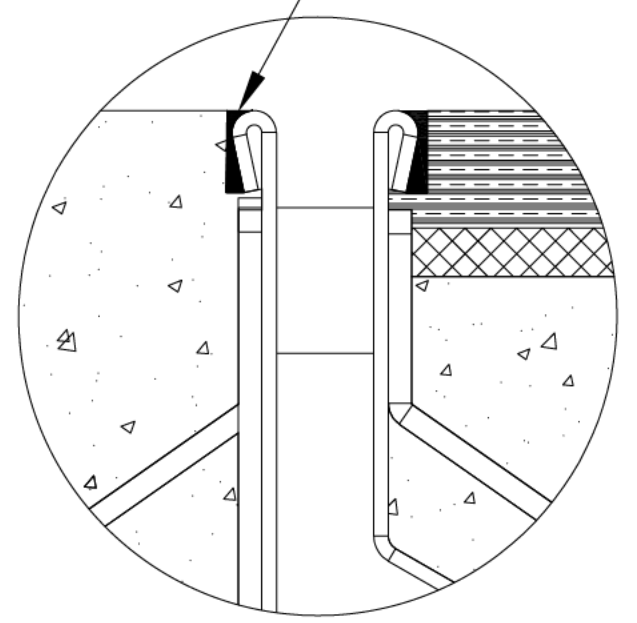
ASHPALT PAVEMENT FLOORING (±FFL) PER ENGINEER DETAILS

CONCRETE FLOORING (±FFL) PER ENGINEER DETAILS



PLAN VIEW

SEALANT BETWEEN ±FFL AND DRAIN TOP



DETAIL-A

4000 SERIES SLOT DRAIN FLOOR INSTALLATION DETAILS



DRAWING TITLE  
CONCRETE+ASHPALT FLOOR-NEW CONSTRUCTION FLOOR INSTALL

DRAIN SERIES	4000 SERIES SLOT DRAIN	REV.	3
--------------	------------------------	------	---

ALL DRAWINGS ARE THE EXCLUSIVE PROPERTY OF SLOT DRAIN SYSTEMS. ANY REPRODUCTION IN PART OR IN WHOLE IS PROHIBITED WITHOUT PROPER CONSENT.

DWG NO.	IN-SD4000-013-R3	SIZE	B	SCALE	NTS	SHEET	1 OF 1
---------	------------------	------	---	-------	-----	-------	--------