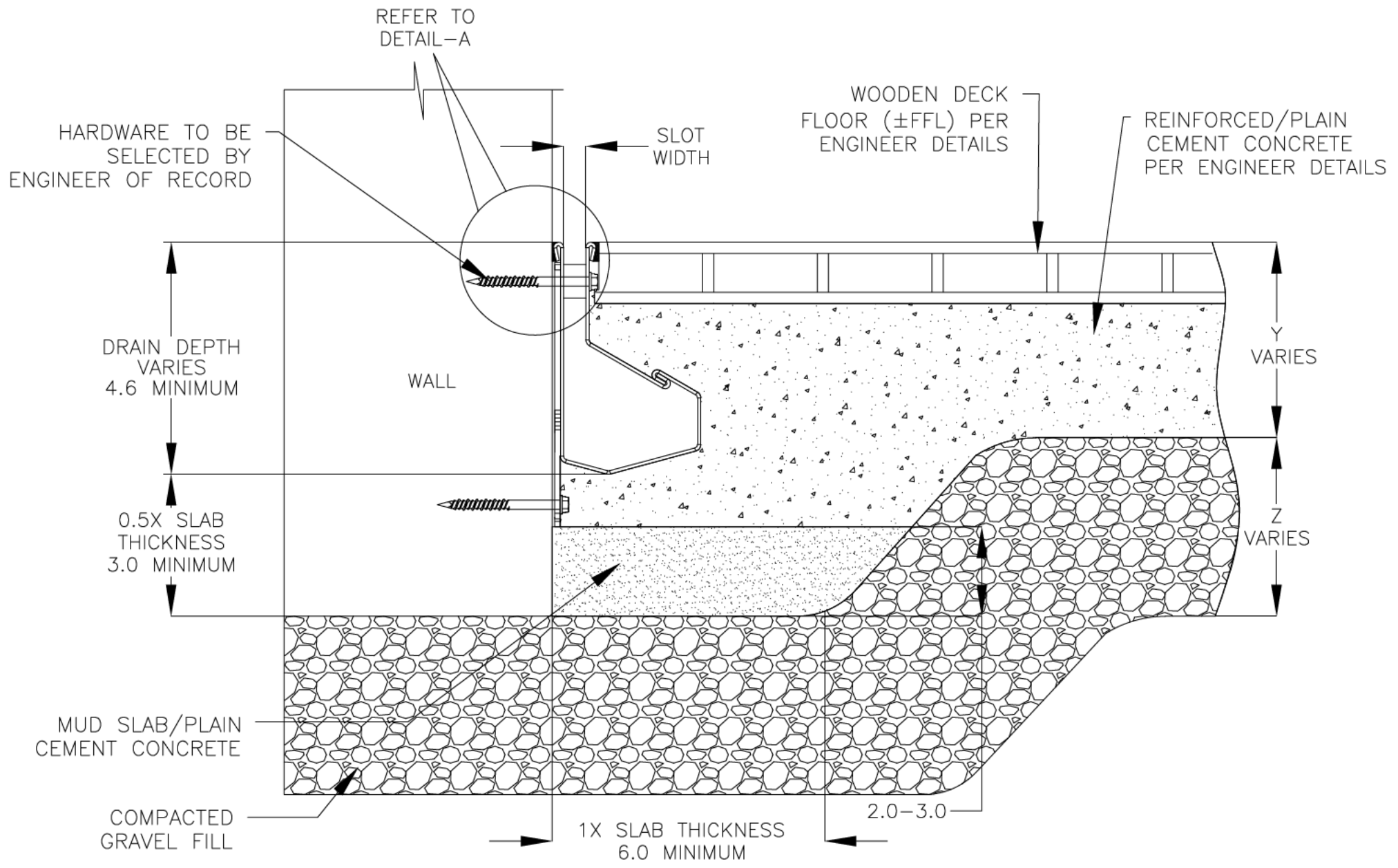


REVISIONS			
REV	DESCRIPTION	DATE	BY
0	INITIAL RELEASE - RO	4/26/2019	DK
1	UPDATED THE LEVELER & WALL CONNECTION	3/19/2020	DK
2	UPDATED THE DRAIN LAYOUT	7/14/2021	DK
3	REMOVED LEVELER & REBAR CONNECTIONS	9/1/2023	DK
4	UPDATED WITH GLOBAL DRAIN TEMPLATE	2/14/2024	DK

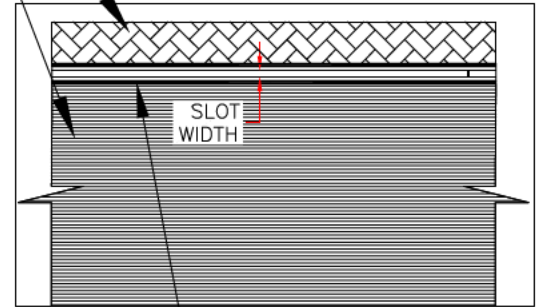
NOTES: UNLESS OTHERWISE SPECIFIED

1. ALL DIMENSIONS ARE IN INCHES.
2. DRAIN BODY MATERIAL: 16GA STAINLESS STEEL T316
3. SPECIFYING ENGINEER IS RESPONSIBLE FOR CONCRETE ENCASEMENT AND REINFORCING BASED UPON APPLICATION AND LOCAL CODES.
4. REFER TO <https://info.slotdrainsystems.com/installresources> FOR INSTALLATION INSTRUCTIONS.



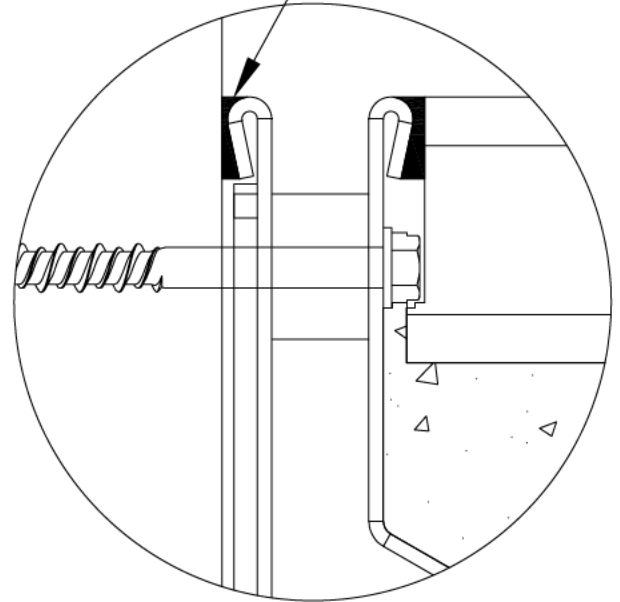
WOODEN DECK FLOORING (±FFL) PER ENGINEER DETAILS

WALL



PLAN VIEW

SEALANT BETWEEN ±FFL AND DRAIN TOP



DETAIL-A

4000 SERIES SLOT DRAIN WALL INSTALLATION DETAILS



DRAWING TITLE
WOODEN DECK FLOOR-NEW CONSTRUCTION WALL INSTALLATION

DRAIN SERIES
4000 SERIES SLOT DRAIN

DWG NO. IN-SD4000-003-R4 SIZE B SCALE NTS SHEET 1 OF 1

ALL DRAWINGS ARE THE EXCLUSIVE PROPERTY OF SLOT DRAIN SYSTEMS. ANY REPRODUCTION IN PART OR IN WHOLE IS PROHIBITED WITHOUT PROPER CONSENT.

REV. 4