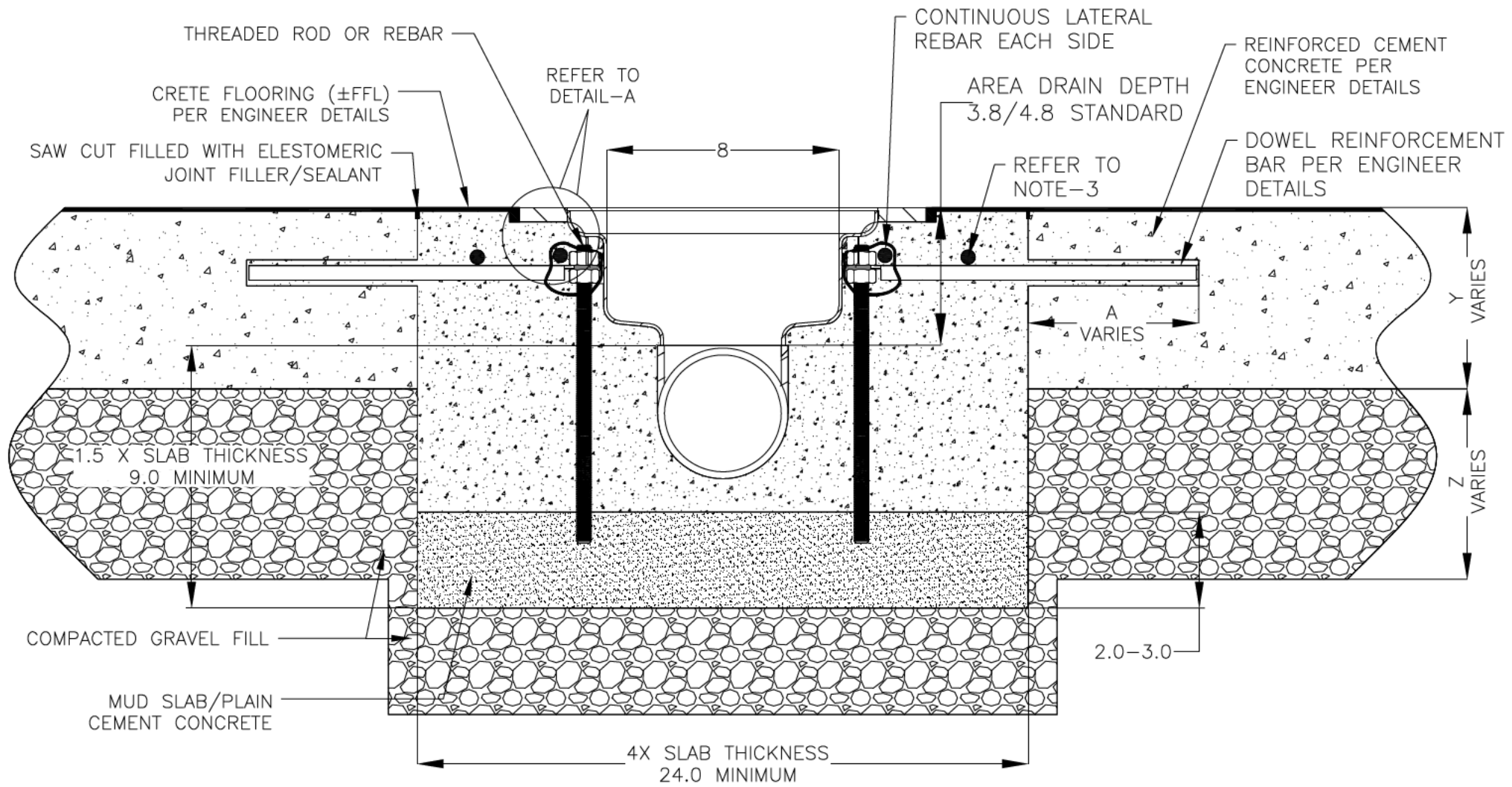


NOTES: UNLESS OTHERWISE SPECIFIED

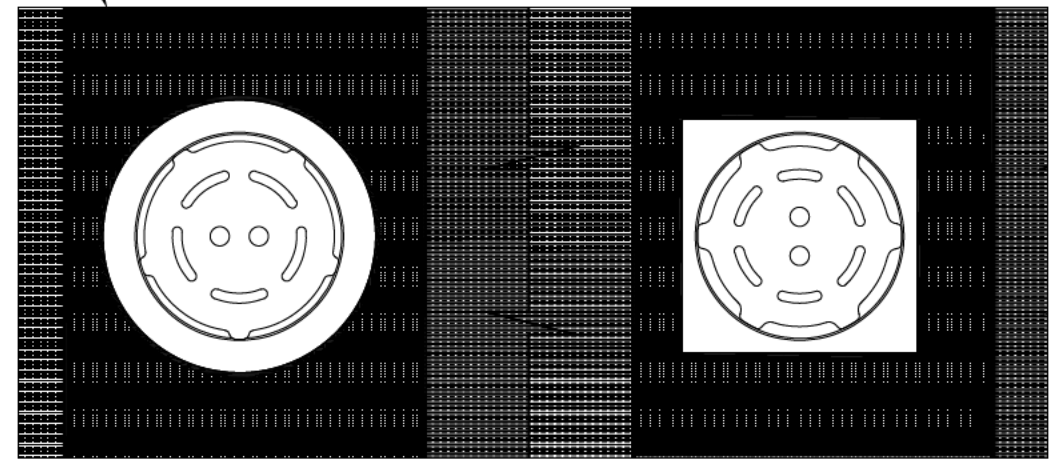
REVISIONS			
REV	DESCRIPTION	DATE	BY
0	INITIAL RELEASE - R0	10/10/2023	DK
1	UPDATED WITH GLOBAL DRAIN TEMPLATE	8/21/2024	DK

1. ALL DIMENSIONS ARE IN INCHES.
2. AREA DRAIN BODY MATERIAL: 12GA STAINLESS STEEL T316
3. SPECIFYING ENGINEER IS RESPONSIBLE FOR CONCRETE ENCASUREMENT AND REINFORCING BASED UPON APPLICATION AND LOCAL CODES.
4. REFER TO <https://info.slotdrainsystems.com/installresources> FOR INSTALLATION INSTRUCTIONS.

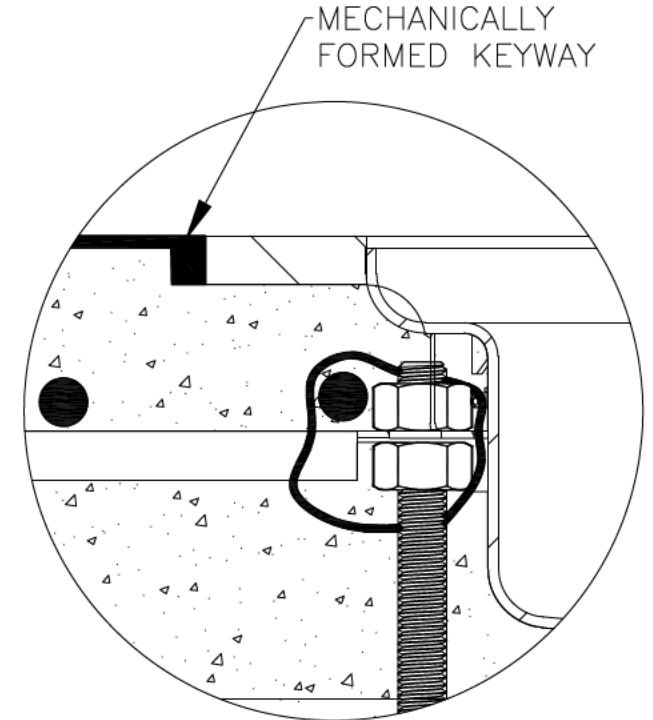


FOOD SAFE ROUND AREA DRAIN INSTALLATION DETAILS

CRETE FLOORING (\pm FFL)
PER ENGINEER DETAILS



PLAN VIEW



DETAIL-A



DRAWING TITLE
CRETE FLOOR-RETROFIT INSTALLATION

DRAIN SERIES
FOOD SAFE ROUND SHALLOW AREA DRAIN

DWG NO.	SIZE	SCALE	SHEET
IN-FSAD-SH-100-R1	B	NTS	1 OF 1

ALL DRAWINGS ARE THE EXCLUSIVE PROPERTY OF SLOT DRAIN SYSTEMS. ANY REPRODUCTION IN PART OR IN WHOLE IS PROHIBITED WITHOUT PROPER CONSENT.

REV.
1